

**DESCRIPTION:**

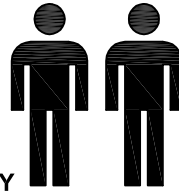
**DARRAS 5.1.2 STATIC**



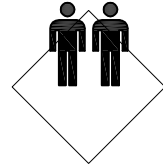
**1.5 Hr**

APPROXIMATE ASSEMBLY TIME

2 PERSON ASSEMBLY



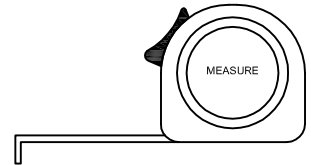
FLOOR AREA  
2.5M X 2.5M



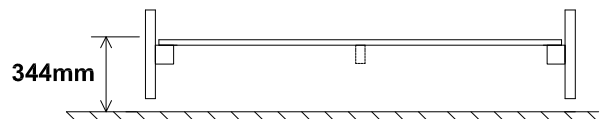
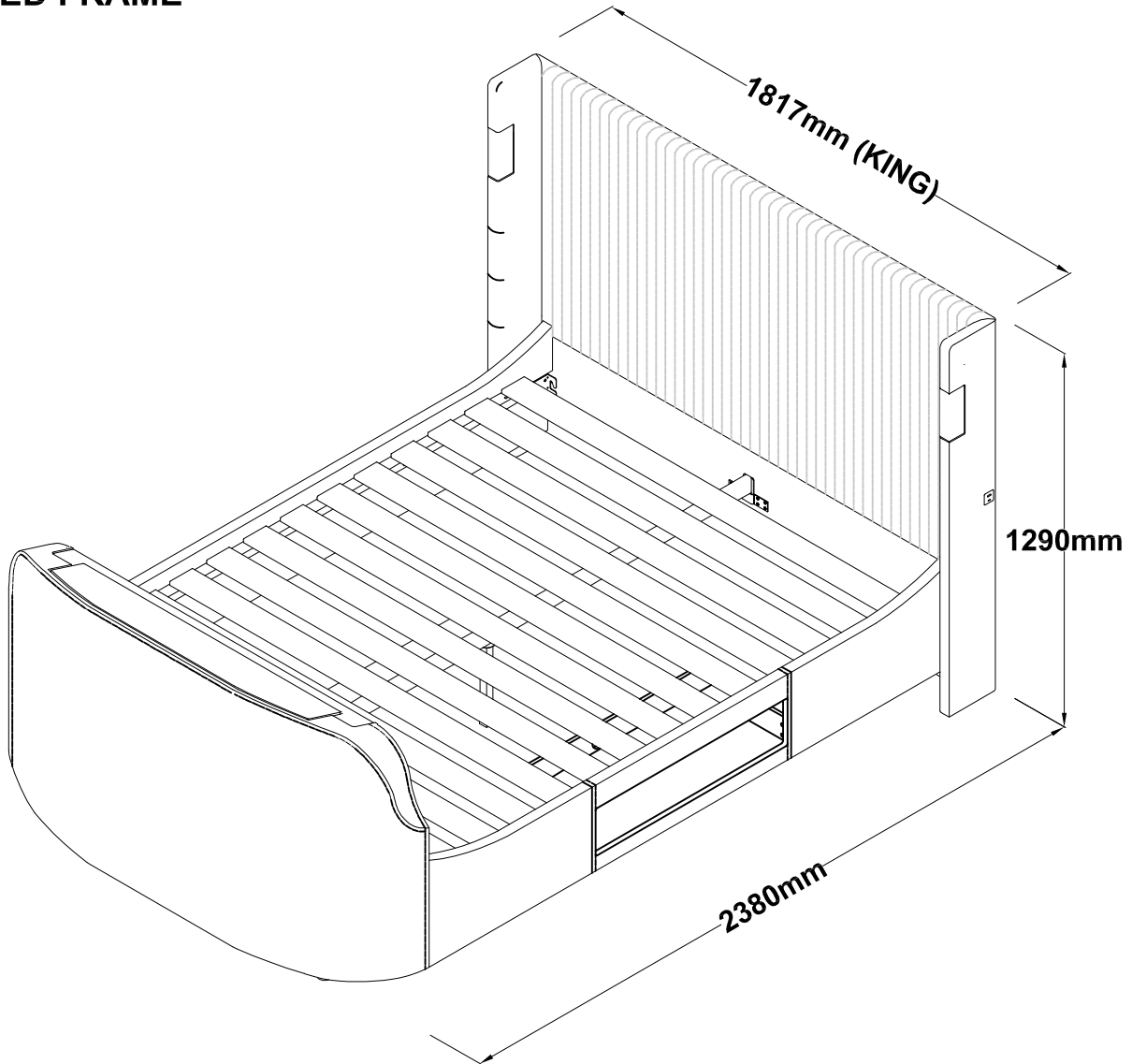
CEILING HEIGHT  
2.5M

REQUIRED ASSEMBLY SPACE

REQUIRED ASSEMBLY TOOLS



**ASSEMBLED DIMENSIONS  
KING BED FRAME**



Internal size for mattress = 1530mm x 2050mm (king)  
Mattress weight = Min. 30kg ~ Max. 65kg

Regrettably self-assembly items cannot be returned once assembly is part or fully completed unless the items are found to be faulty. Should you need to return the unassembled product, please repack in its original packaging.

### **Important Information**

- We suggest you spend a short time reading through this leaflet and then follow the simple step-by-step instructions.
- Carefully check that you have all the parts before beginning assembly.
- Keep fittings out of children's reach and keep children well away from construction area.
- We suggest you retain these instructions for future reference.

### **Product Information**

- **TV bed.**
- **Upholstered Bed. Conforms to BS EN 1725 & BS 5852.**
- **TV Lift system has a maximum load capacity of 50lbs ( 25kg )**
- **This product has a cavity and TV lift dimension restriction. Note TV Restrictions : Max Height 58cm Max Width 98cm and Max Depth 7.5cm.**

### **NOTE:**

**- It is the users responsibility to ensure their chosen television is dimensionally compatible, allowing for Aerial & HDMI leads and all other cables and peripherals (like USB sticks) are managed in a way that does not cause damage to either the product or chosen Television. Please read the disclaimer at the bottom of this page. Please contact the bed manufacturers UK support centre helpline, in instances where you require additional TV set-up information.**

### **Care Instructions**

- Avoid exposing the furniture to excessive heat or direct sunlight as this can cause cracking or deterioration of the colour.
- Periodically check & re-tighten any fastener.
- Periodically dust lightly with a clean soft cloth.
- Do not use silicone based furniture polish.
- Any spills should be removed immediately with a soft damp cloth.
- PLEASE ENSURE THE BED IS ASSEMBLED IN THE AREA IN WHICH IT WILL BE PLACED AS ATTEMPTING TO MOVE THE BED ONCE ASSEMBLED WILL BE DIFFICULT AND LEAD TO DAMAGE.

### **ATTENTION! PLEASE NOTE:**

In the event you are experiencing any technical difficulties and you require additional assistance/ support with your product 'Mechanical/ Electrical' function - Please Contact:

SUPPORT EMAIL: [support@bssbfurnitureinnovation.com](mailto:support@bssbfurnitureinnovation.com)

UK PRODUCT SUPPORT HOTLINE : 01462600064

Contact your retailer for all other issues such as damage, missing or faulty components ( non electrical ) or anything else of a non technical/electrical nature.

### **DISCLAIMER**

Whereas every effort has been made to allow this product to utilise the maximum number of TV's available it is not possible to accommodate every product in an ever changing market. It is the responsibility of the customer to ensure suitability of the TV to the TV bed before attempting operation. It is the customers responsibility to ensure all wiring is correctly placed in accordance with both the TV and TV bed manufacturer.

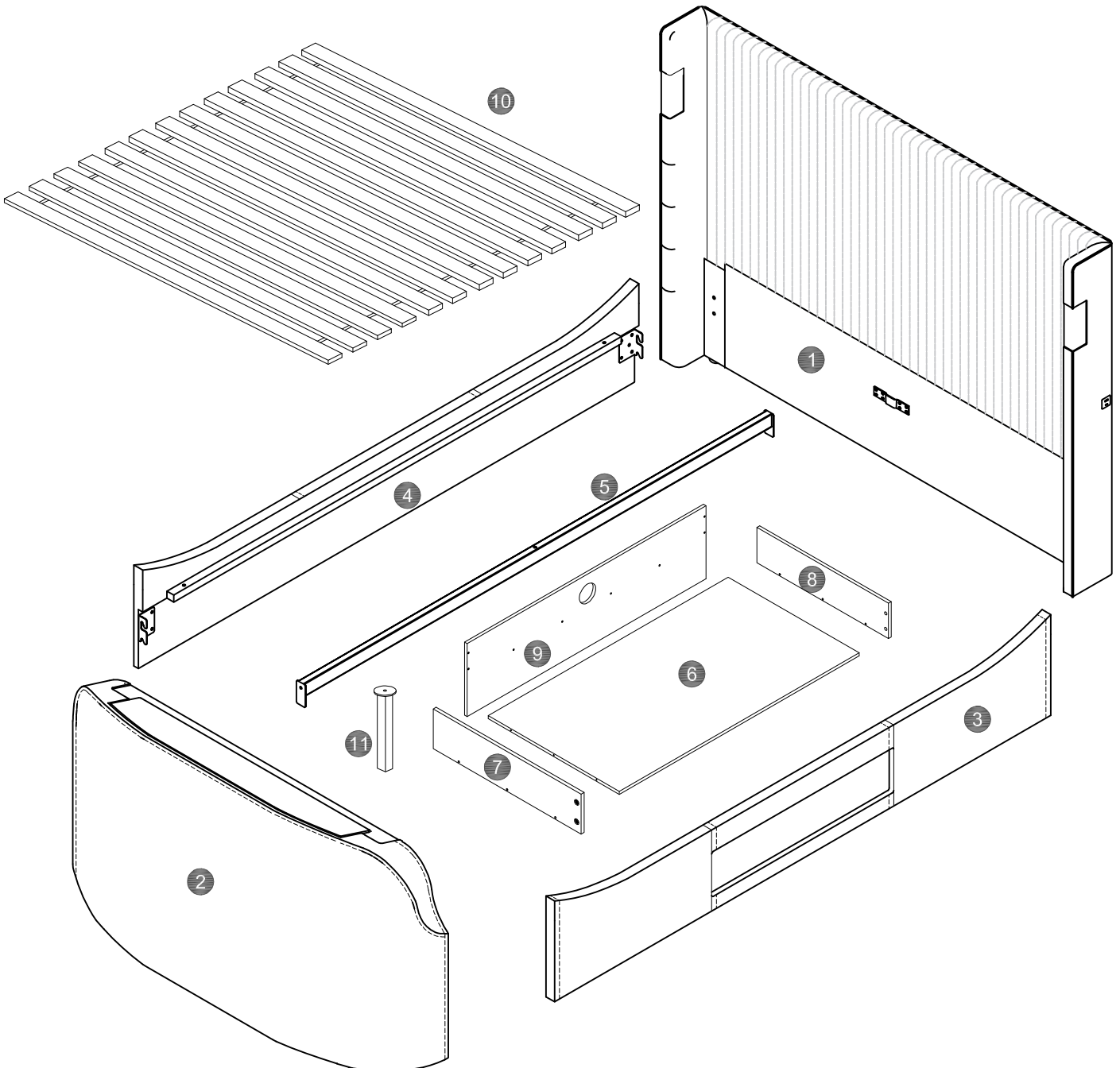
Kaydian will not be held responsible for any damage caused to the TV, TV Cabling or TV bed due to incompatibility of equipment used.

CE	Comforms To :	CE_LIFT_Controller unit Linear actuator in UK/ EU (LVD + EMC + RoHS):
		-EN 60335-1; EN 62233; EN 55014-1; EN55014-2; EN 61000-3-2; EN 61000-3-3;
CE		CE_MEDIA SYSTEM_For Audio System in UK/ EU (LVD + EMC + RoHS):
		-EN 60065; EN 550132; EN 55020; EN 301489, EN300328; EN62479; EN55032;

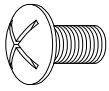
# PARTS LIST

NO.	PART LISTS	QTY
1	HEADBOARD	1
2	FOOTBOARD	1
3	SIDE RAIL-1	1
4	SIDE RAIL-2	1
5	CENTRE RAIL	1
6	DVD/ MEDIA COMPARTMENT BASE	1
7	DVD/ MEDIA COMPARTMENT SIDE PANEL (LEFT)	1
8	DVD/ MEDIA COMPARTMENT SIDE PANEL (RIGHT)	1
9	DVD/ MEDIA COMPARTMENT REAR PANEL	1
10	SLATS	1
11	CENTER SUPPORT LEG	1

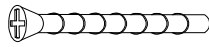
CARTON 1 CONSISTS OF PART : 1,6,7,8 & 9  
 CARTON 2 CONSISTS OF PART : 2, HARDWARE , AI  
 CARTON 3 CONSISTS OF PART : 3, 4, 5, 11 SCREW DRIVER  
 CARTON 4 CONSISTS OF PART : 10



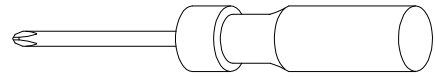
# HARDWARE LIST



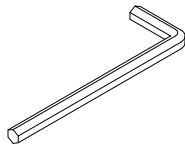
**4x**  
M8 X 16mm  
**A**  
BOLT



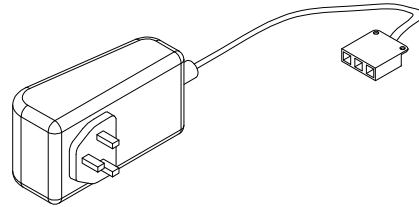
**12x**  
M5 X 35mm  
**B**  
SCREW



**1x**  
**C**  
SCREW DRIVER  
(4" x 5mm)



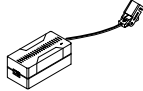
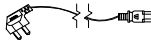
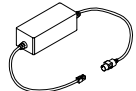


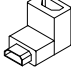

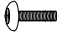
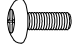
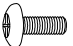
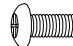







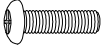
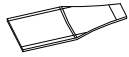

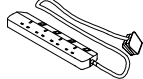
**1x**  
ALLEN KEY M5  
**D**  
SCREW

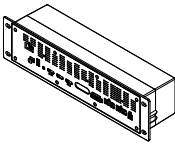
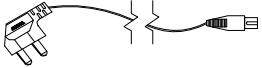
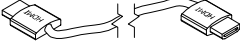
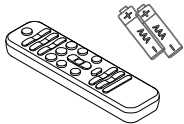


**1x**  
**E**  
3 WAY AC ADAPTOR

**MUST BE PLUGGED DIRECTLY INTO A MAINS  
SOCKET AND NOT AN EXTENSION LEAD**

# HARDWARE LIST

Hardware List-TV Lift & TV Connection (in Carton 2)			
(12) AC Adaptor x 1 	(13) TV lift up mechanism AC/ power cable power plug x 1 	(14) Control Box x 1 	(15) Cable Clip x 2 
(16) Aerial Connection x 1 	(17) 90 degree HDMI adaptor x 1 	(18) Allen Key M4 x 1 	(19) PH Screw M4 x 20mm x 2 
(20) PH Screw M5 x 20mm x 2 	(21) PH Screw M6 x 20mm x 2 	(22) PH Screw M8 x 20mm x 2 	(23) M5 Washer x 2 
(24) M6 Washer x 2 	(25) M8 Washer x 2 	(26) Plastic Collar x 6 	(27) PH Screw M4 x 40mm x 2 
(28) PH Screw M5 x 40mm x 2 	(29) PH Screw M6 x 40mm x 2 	(30) PH Screw M8 x 40mm x 2 	(31) Wireless Remote Control Pocket x 1 
(32) Cable Clip x 2 	4 Way Extension Socket x 1 		

Audio / Speaker System Connection Hardware (in Carton 2)			
(VIII) Amplifier x 1 	(X) AC Power Cord x 1 	(XI) HDMI Cable x 1 	(XII) Remote Control x 1 Batteries x 2 

## Top Tips before you start!

1. Please check that all parts are present before you start the assembly of your furniture, as once assembled, the furniture is exempt from our home approval policy.
2. For ease and speed of assembly, we recommend that before you commence each step of the assembly, that you identify all the parts required for that step.
3. For larger items, please ensure that you have sufficient space and people (as indicated on page 1) to assemble your product safely.
4. We recommend that, where possible, all items are assembled near to the area in which they will be placed in use, to avoid moving the product unnecessarily once assembled.
5. For the protection of your furniture, particularly items of high gloss finish, we recommend that the product is placed on a protected surface during assembly to prevent any damage.
6. During assembly please take care not to over-tighten any fittings, as this may damage the product.

## Care and Maintenance of your Furniture

- Please periodically check all fittings and re-tighten as necessary.
- To clean your item, please use a damp cloth and wipe clean.
- Please do not jump on your furniture.
- Never allow any kind of liquid to remain on your furniture. Absorption can cause finishes to de-laminate.
- Once assembled do not attempt to move the bed as dragging the bed will cause damage.
- Please kindly take account of your floor covering when assembling a new bed! If the floor offers little resistance (such as wood or laminate) then it is recommended to use rug or similar be placed under each leg.

### NOTE

The audio user manual is available and has been included inside the accessories box. This is importance of providing clear instructions and the audio user manual has been designed to assist users in understanding the features and functionalities of our product. It contains detailed information on how to set up, operate, and troubleshoot any potential issues that may arise.

We highly recommend that you familiarize yourself with the contents of the audio user manual before using the product. It will ensure a seamless and enjoyable experience, while also addressing any queries or concerns that you may have.

### CAUTION

If you are using a USB storage device in the TV USB port. It may cause unexplained issues with the TV bed media system. Please unplug the USB storage device when not in use.

### PLEASE NOTE.

If you are using TV's which are not listed as compatible in your user instructions, Unusual scenario's may arise with the CEC connection system on your tv.

## ATTENTION! PLEASE NOTE:

In the event you are experiencing any technical difficulties and you require additional assistance/ support with your product 'Mechanical/ Electrical' function - Please visit:

SUPPORT EMAIL: [support@bssbfurnitureinnovation.com](mailto:support@bssbfurnitureinnovation.com)

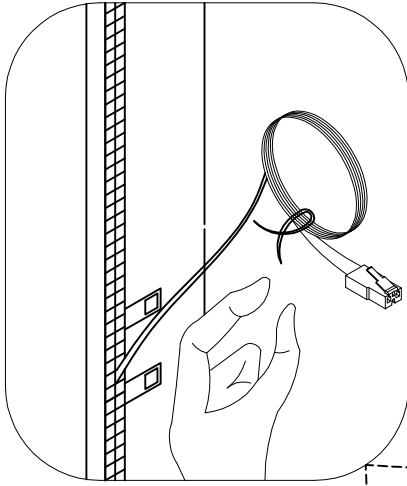
UK PRODUCT SUPPORT HOTLINE : 01462600064

Contact your retailer for all other issues such as damage, missing or faulty components ( non electrical ) or anything else of a non technical/electrical nature.

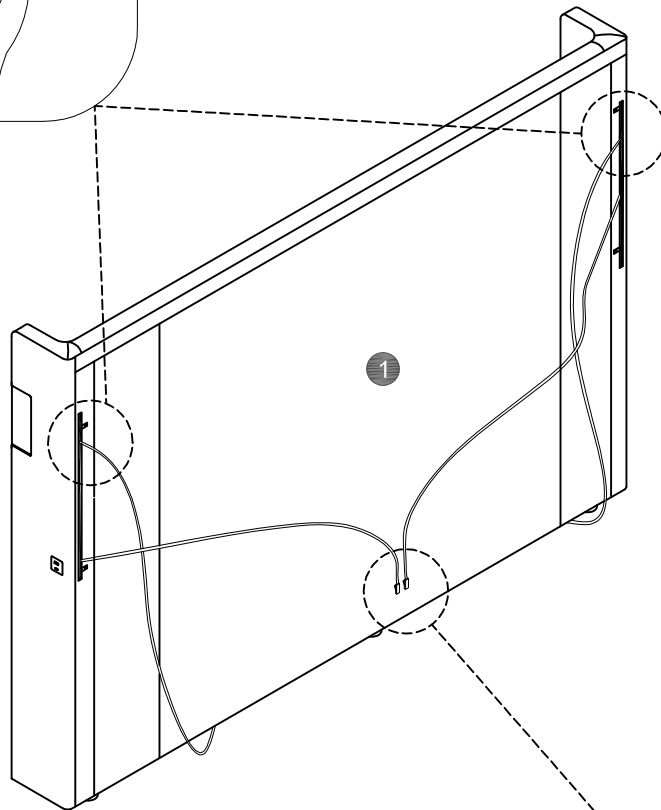
**DO NOT USE ANY POWER TOOLS AS THIS MAY DAMAGE THE FRAME AND WILL INVALIDATE ANY CLAIM**

## STEP 1

- The head end will be against the wall.
- Open the zip at the back of headboard and take out the cables.
- Remove the cable tie.
- Pull through the Surround Speaker cables and USB Charger cables and position as shown in the image below.



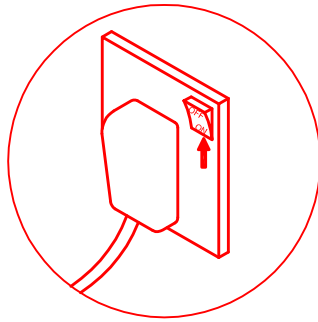
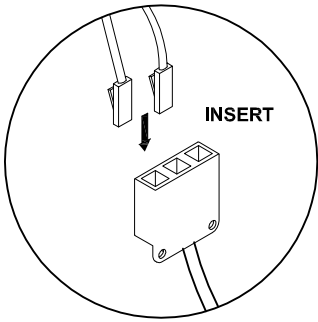
Surround  
Speaker  
Cables & USB  
Charger Cable



USB Charger  
Cable

## STEP 2

- Insert all the connector to the 3 way AC adaptor (E) as shown.
- Plug the adaptor directly into a mains wall socket..

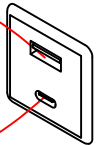


Do not charge the following items



Power Bank  
Laptop

Power Bank  
Laptop



### STEP 1

INSERT ALL THE MALE CONNECTOR TO 3 WAY AC ADAPTOR.

### STEP 2

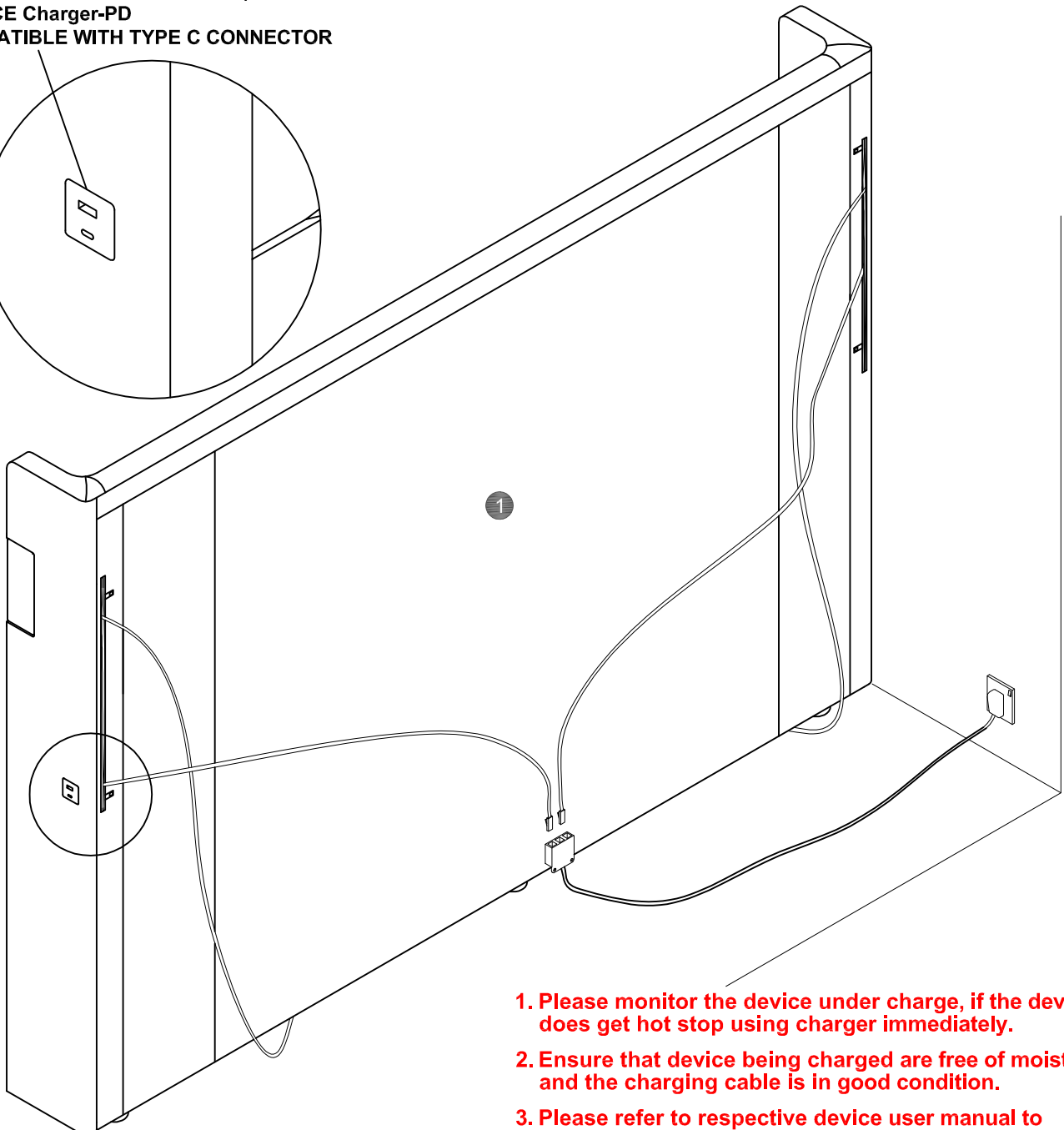
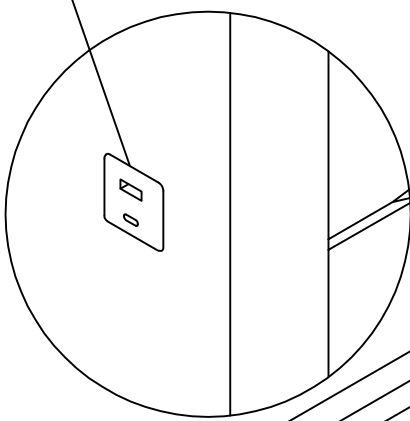
CONNECT THE 3 WAY AC ADAPTOR PLUG TO THE MAIN POWER SUPPLY.

-USB Charger

\*(TYPE-A FEMALE CONNECTOR)-\

-DEVICE Charger-PD

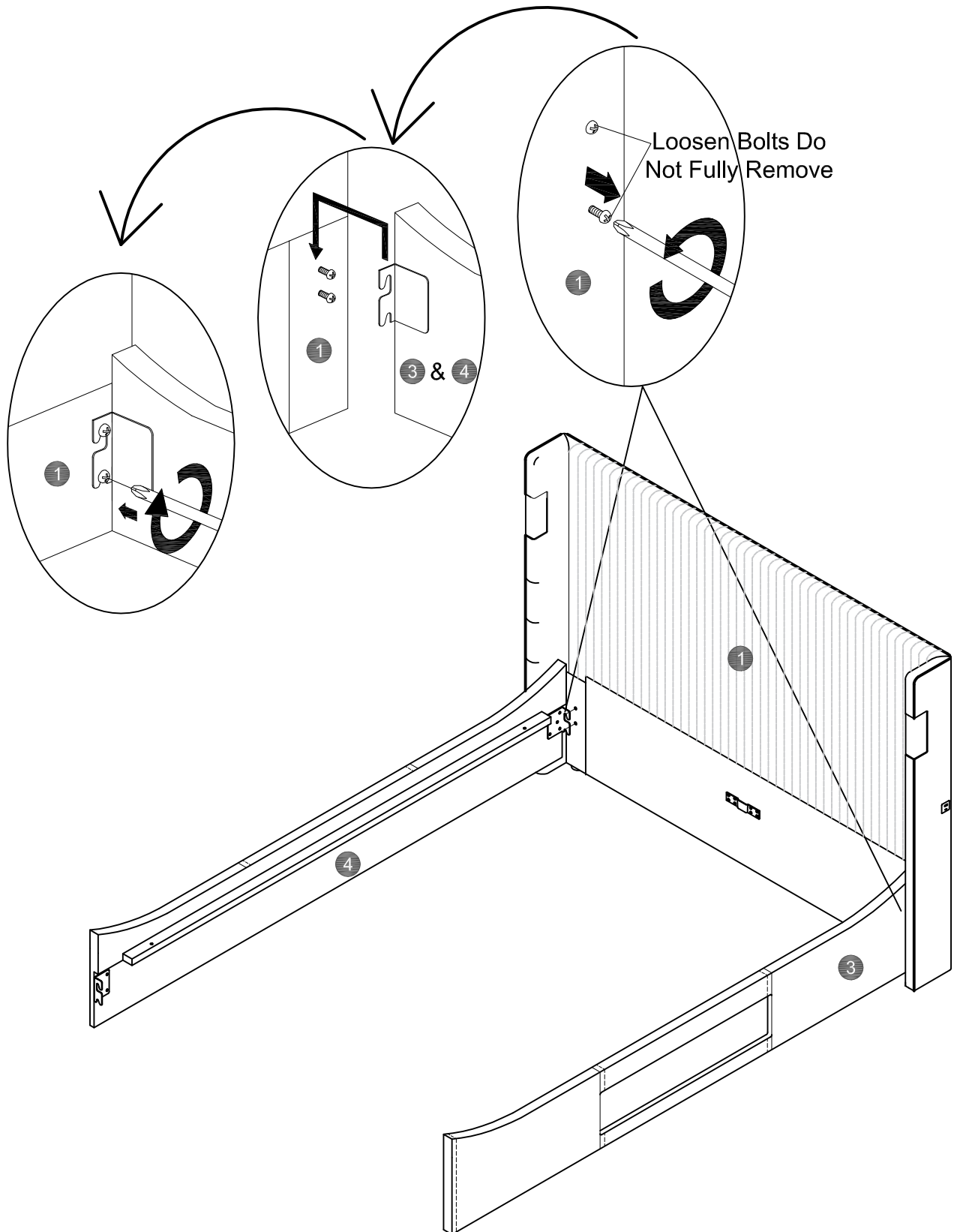
COMPATIBLE WITH TYPE C CONNECTOR



1. Please monitor the device under charge, if the device does get hot stop using charger immediately.
2. Ensure that device being charged are free of moisture and the charging cable is in good condition.
3. Please refer to respective device user manual to seek the suitability of charging method.

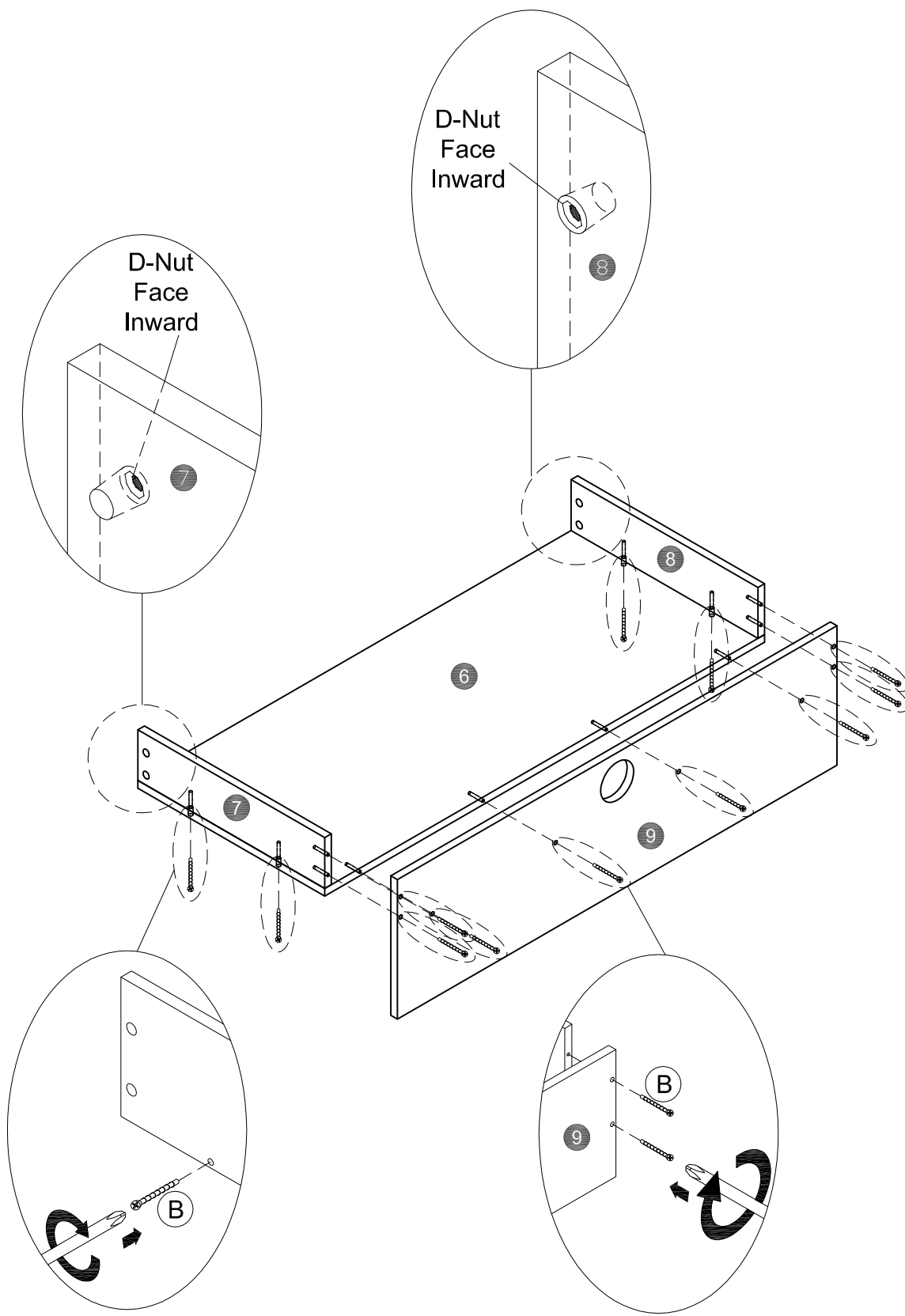
## STEP 3

- Before assembly please decide which side you require the "DVD / Media Compartment " Part '3' side rail with opening and place it at that side.
- Loosen the bolts located in the head end. (Note: only loosen the bolts Do NOT remove them.)
- Hook the side rail over the bolts as shown.
- Repeat the action on the opposite side.



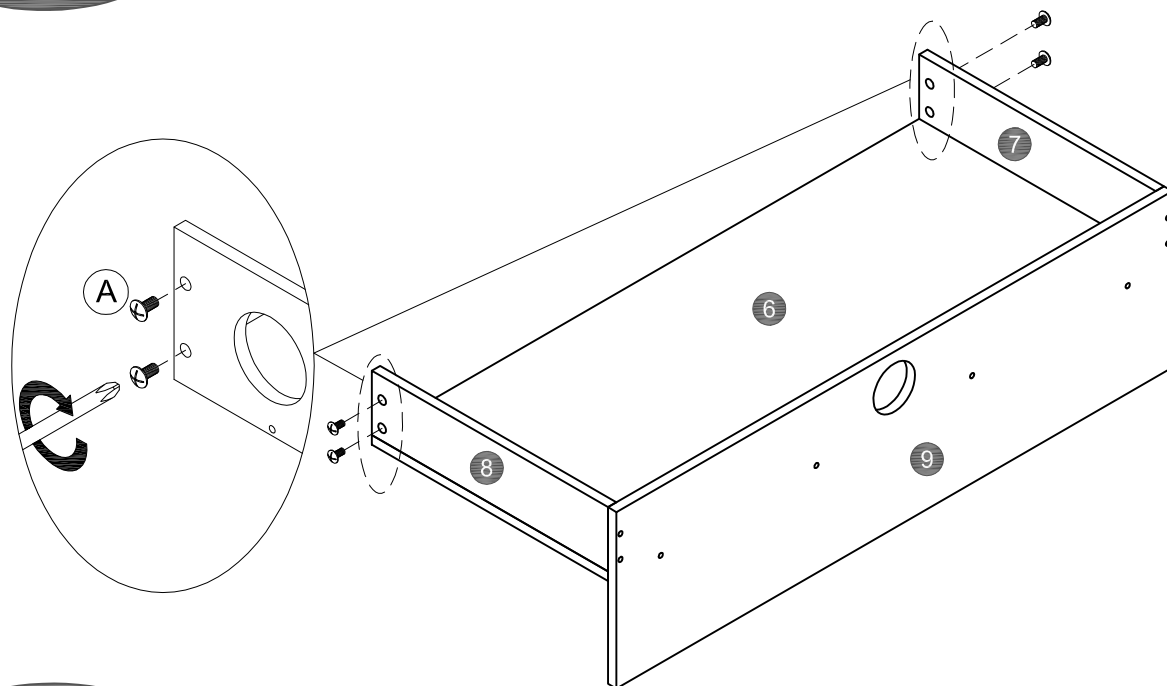
# STEP 4

- Attach "DVD / Media Compartment" side and back panels to "DVD / Media Compartment" base panel as shown.



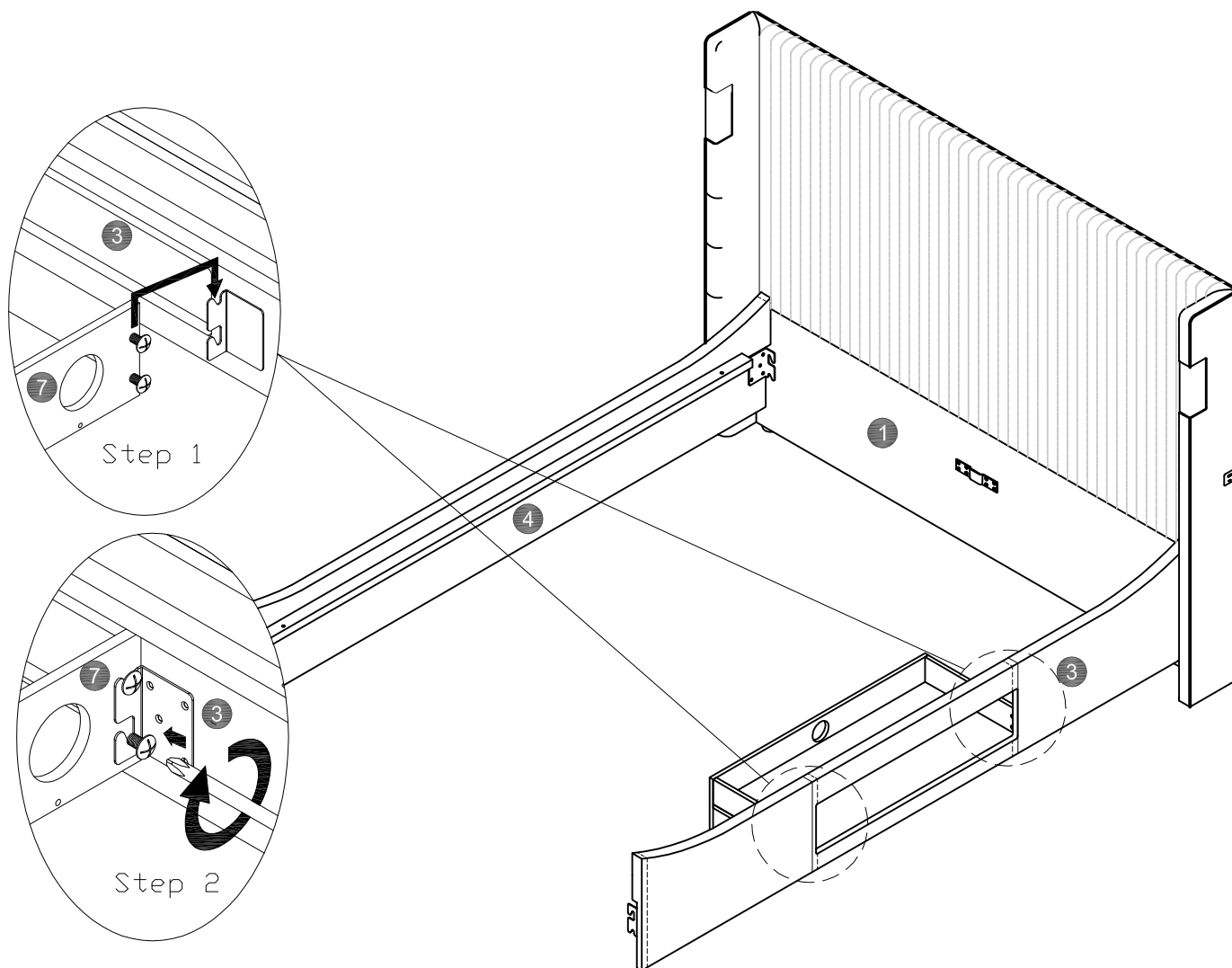
## STEP 5

• Attach the bolts to both side of "DVD / Media Compartment" side panels as shown.



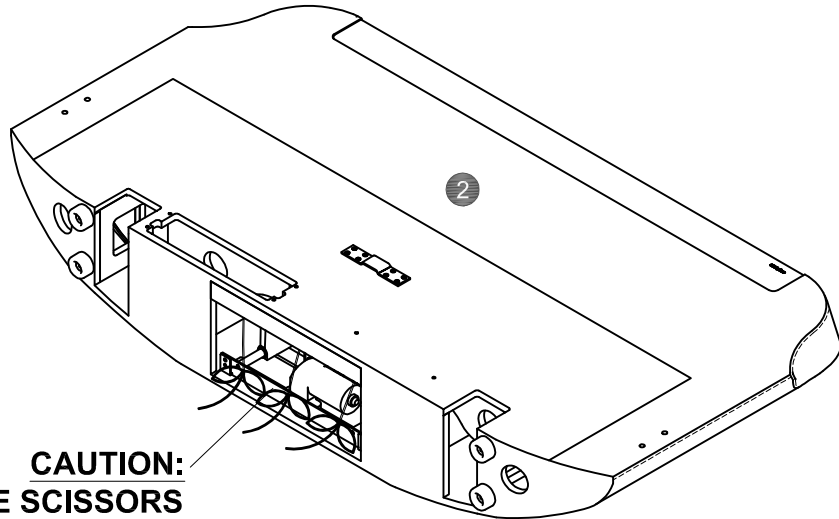
## STEP 6

• Attach the "DVD / Media Compartment" to the side rail as shown.



## STEP 7

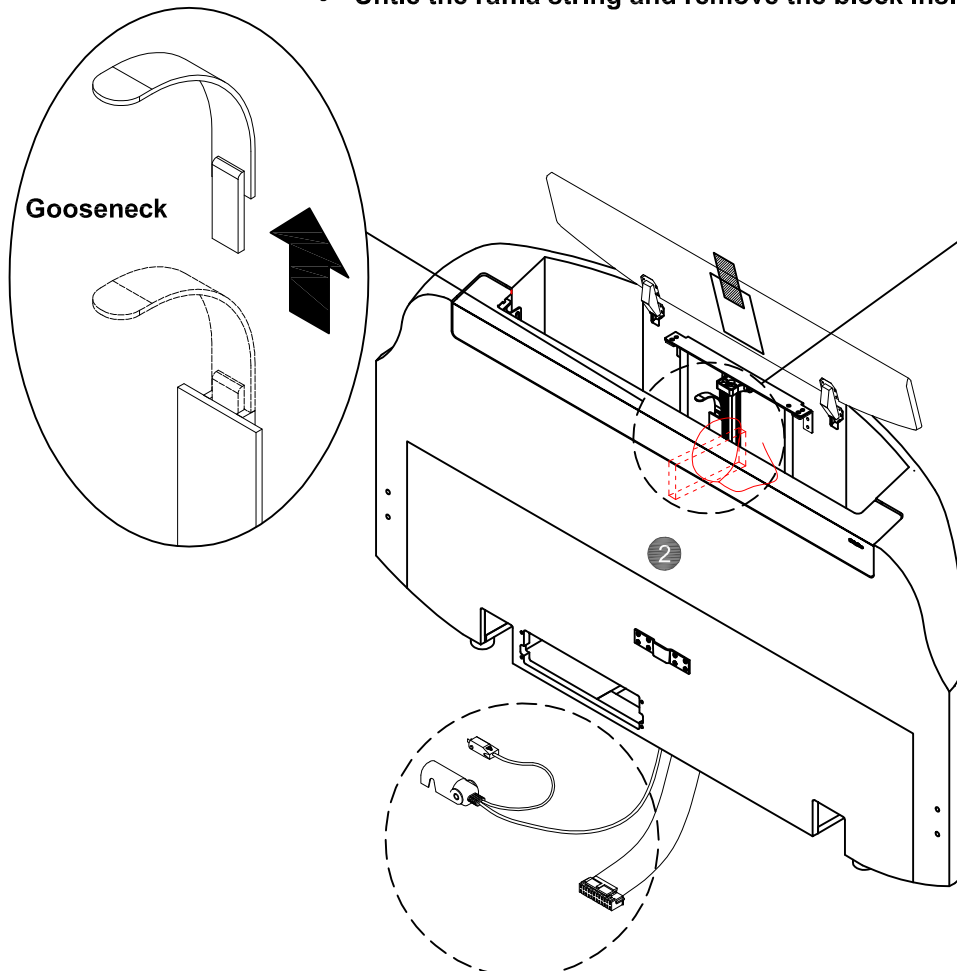
- Carefully remove the footboard from carton 2.
- To do this you will need to gently lay the foot end on it's back. Before doing so please ensure the area is completely free of anything that may cause damage or press into the fabric. Place a protective cover on the floor to avoid possible damage.
- The accessories box are held in place by string please carefully cut these.



**CAUTION:  
PLEASE USE SCISSORS  
TO CUT THE THREE STRING.**

## STEP 8

- Carefully lift the foot end back to it's upright position.
- Make sure all the cable are pull out from bottom of foot end.
- Open the lid using the velco attach at lid.
- Remove the gooseneck from tv lift mechanism.
- Untie the raffia string and remove the block inside the footboard cavity.

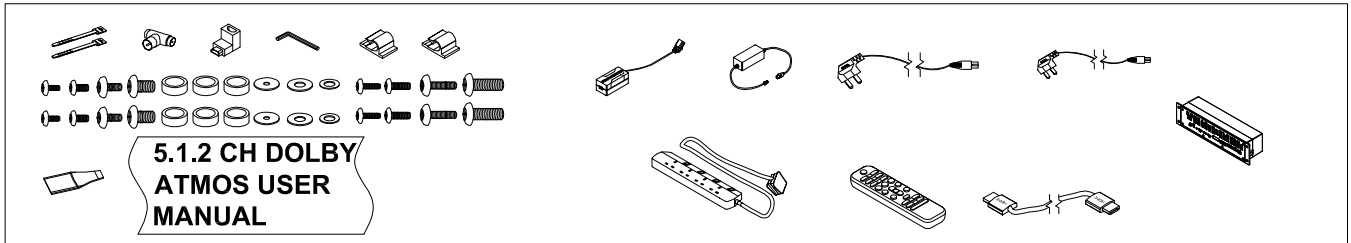


**Remove the block.**

## STEP 9

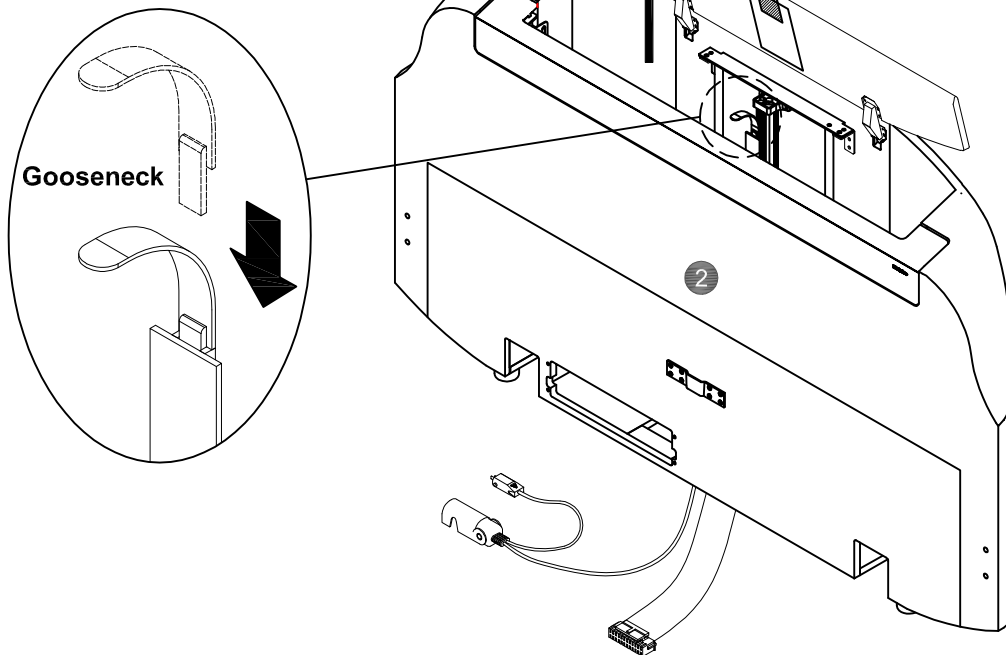
- Remove the Hardware Box from inside.
- Attach back the gooseneck to the tv mechanism.
- Remove the velco from the lid.

### Hardware Box



**CAUTION:**  
TAKE CARE WHEN REMOVING  
THE ACCESSORY BOXES NOT  
TO CATCH YOUR HANDS ON  
THE SIDES.

Take out the hardware box from the  
foot end then remove the temporary  
velcro.



### ATTENTION! PLEASE NOTE:

In the event you are experiencing any technical difficulties and you require additional assistance/ support with your product 'Mechanical/ Electrical' function - Please visit:

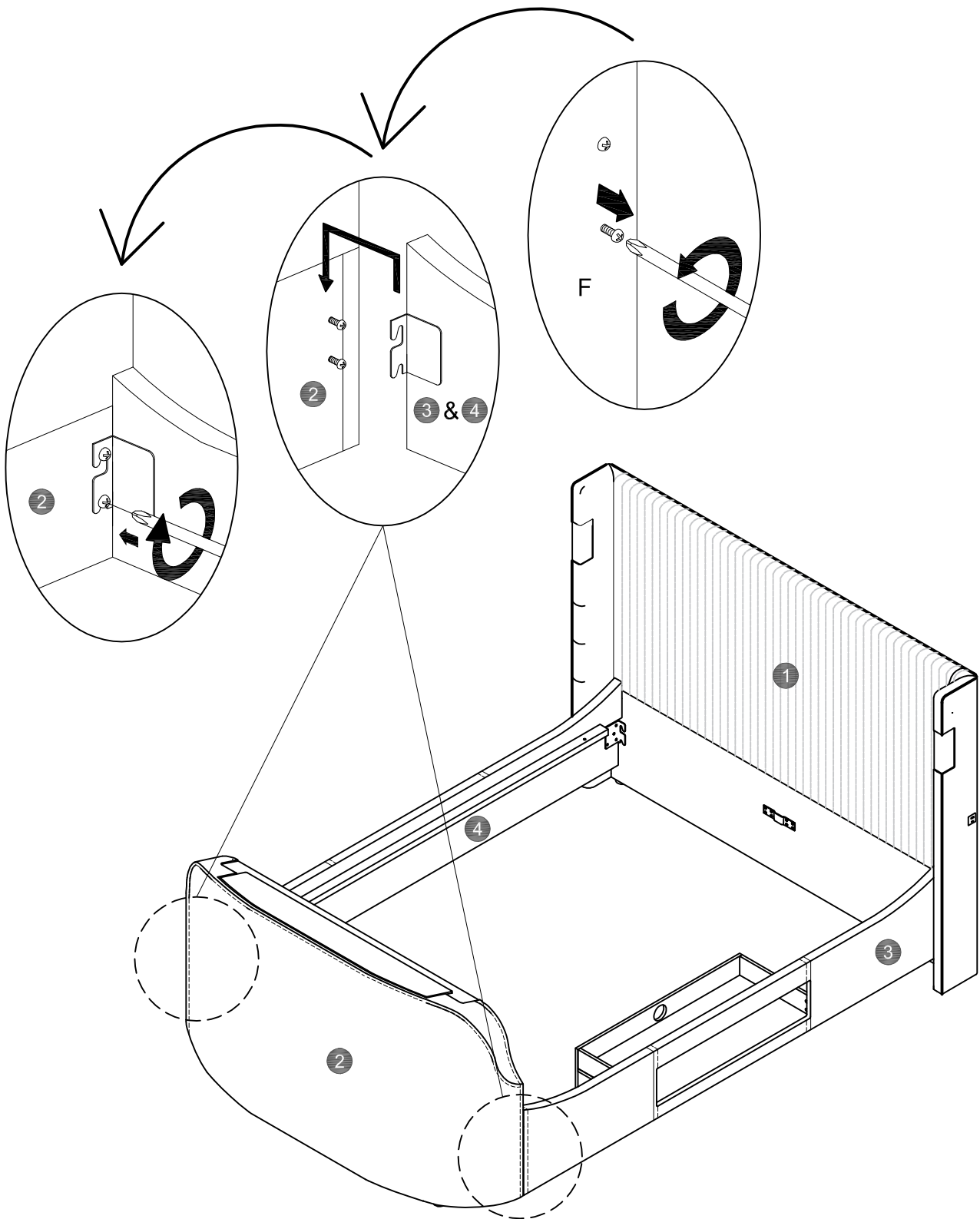
SUPPORT EMAIL: [support@bssbfurnitureinnovation.com](mailto:support@bssbfurnitureinnovation.com)

UK PRODUCT SUPPORT HOTLINE : 01462600064

Contact your retailer for all other issues such as damage, missing or faulty components ( non electrical ) or anything else of a non technical/electrical nature.

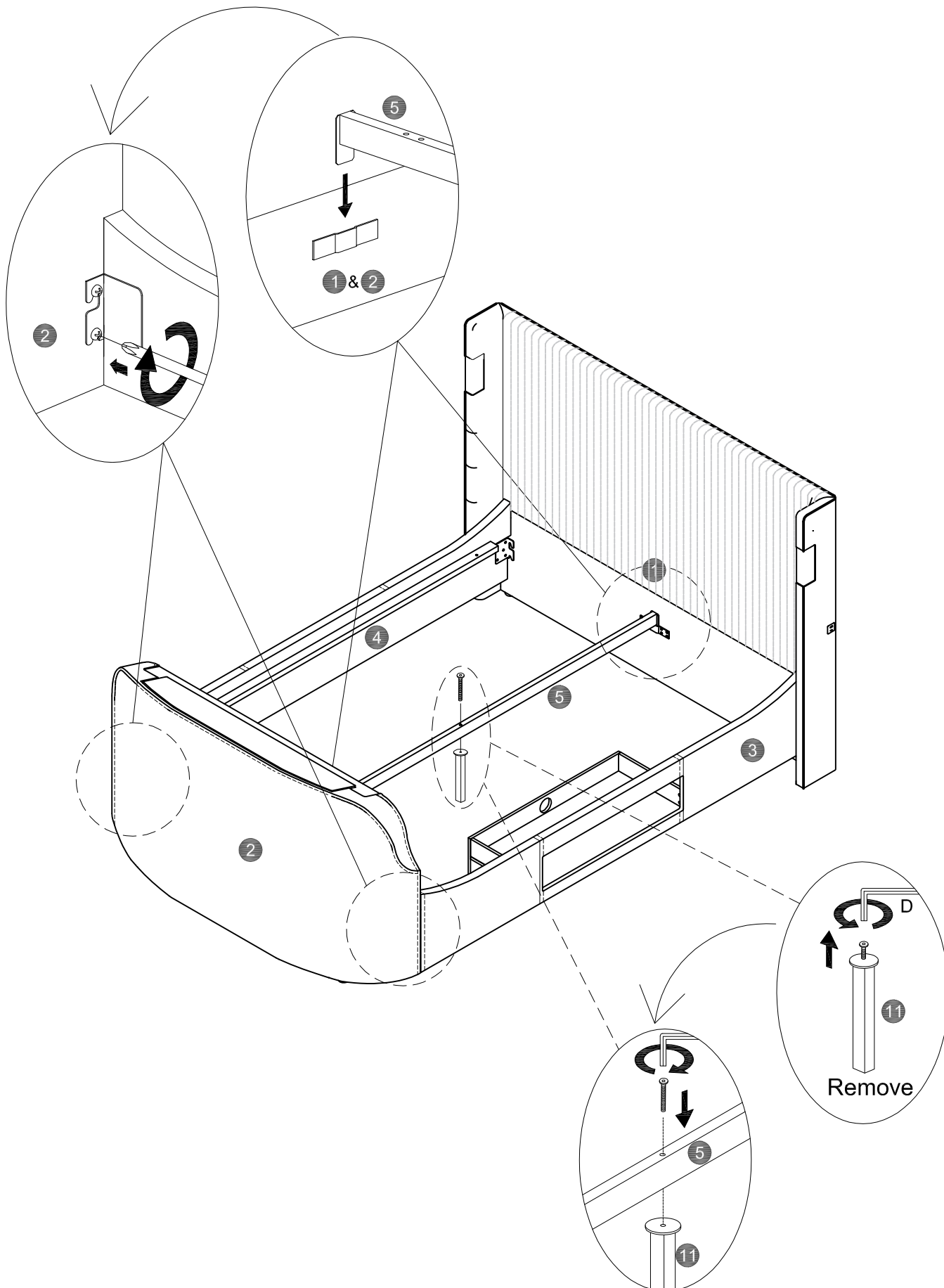
# STEP 10

- Loosen the pre-assembled bolts located in the foot end.
- Please note these should only be loosened and **NOT** removed.
- Hook the side rail brackets over the bolts on both sides.
- Leave bolts finger tight (Do Not Tighten).



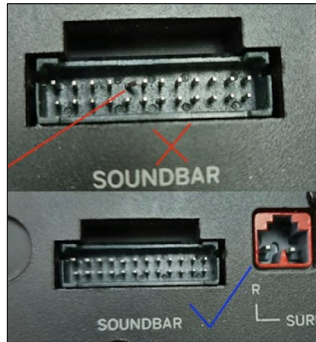
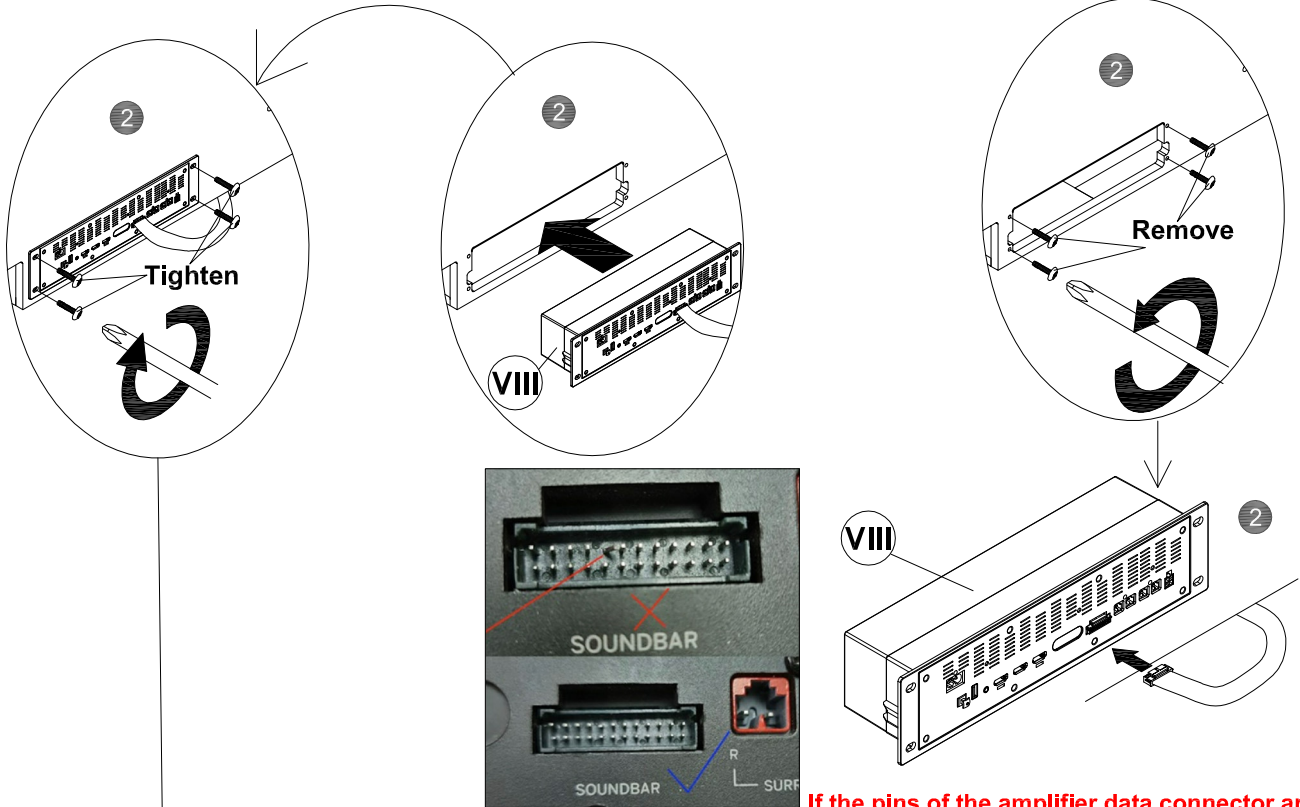
# STEP 11

- Carefully slot the centre rail into the brackets on the head and foot end. Be very careful not to catch the head and foot ends with the centre rail tongue.
- Fully tighten all screws on the head and foot ends.
- Remove the bolts from Centre Support Leg as shown.
- Tighten the bolts to the Centre Rail & Centre Support Leg as shown.

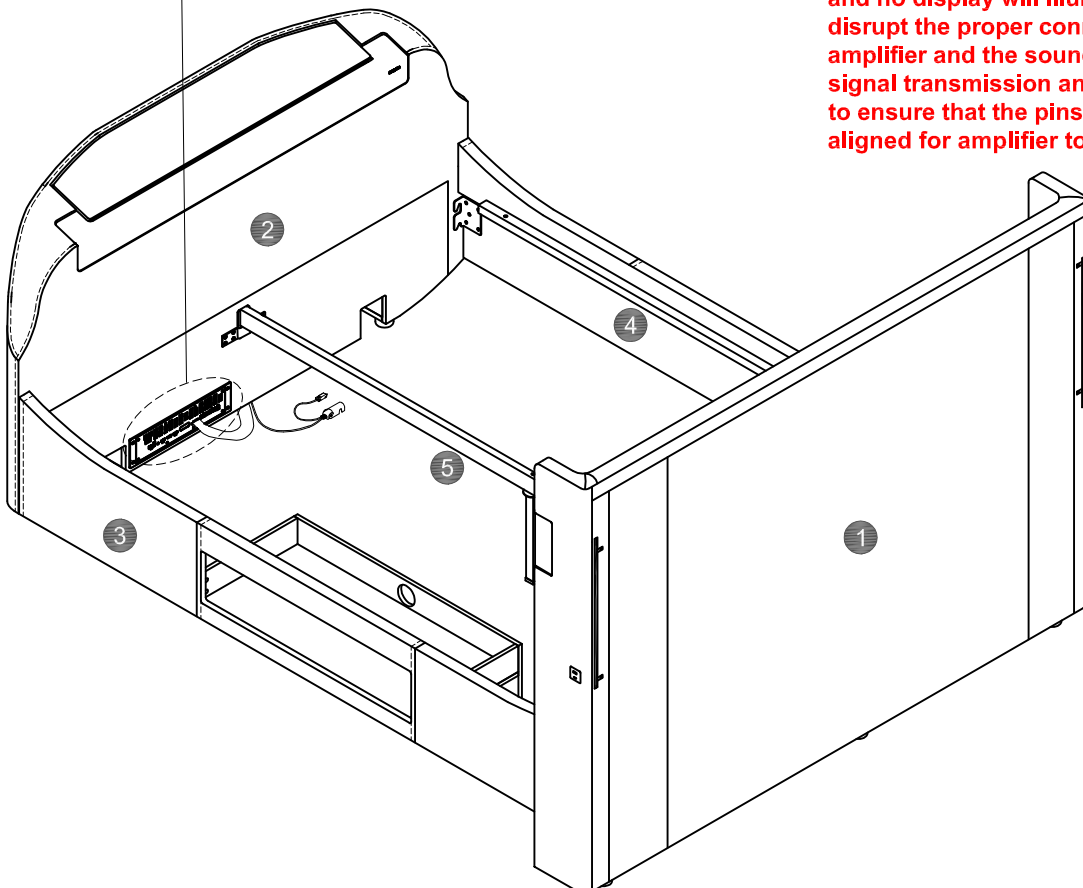


## STEP 12

- Remove the pre-assembled bolt on foot end as shown.
- Connect the control cable - Sound bar to the Amplifier (VIII) as shown.
- Attach the amplifier (VIII) to the foot end.
- Then tighten the amplifier (VIII) with the bolt (W).
- For more detail information "Amplifier" please refer to [5.1.2 CH DOLBY ATMOS user manual \( pages 5\)](#).

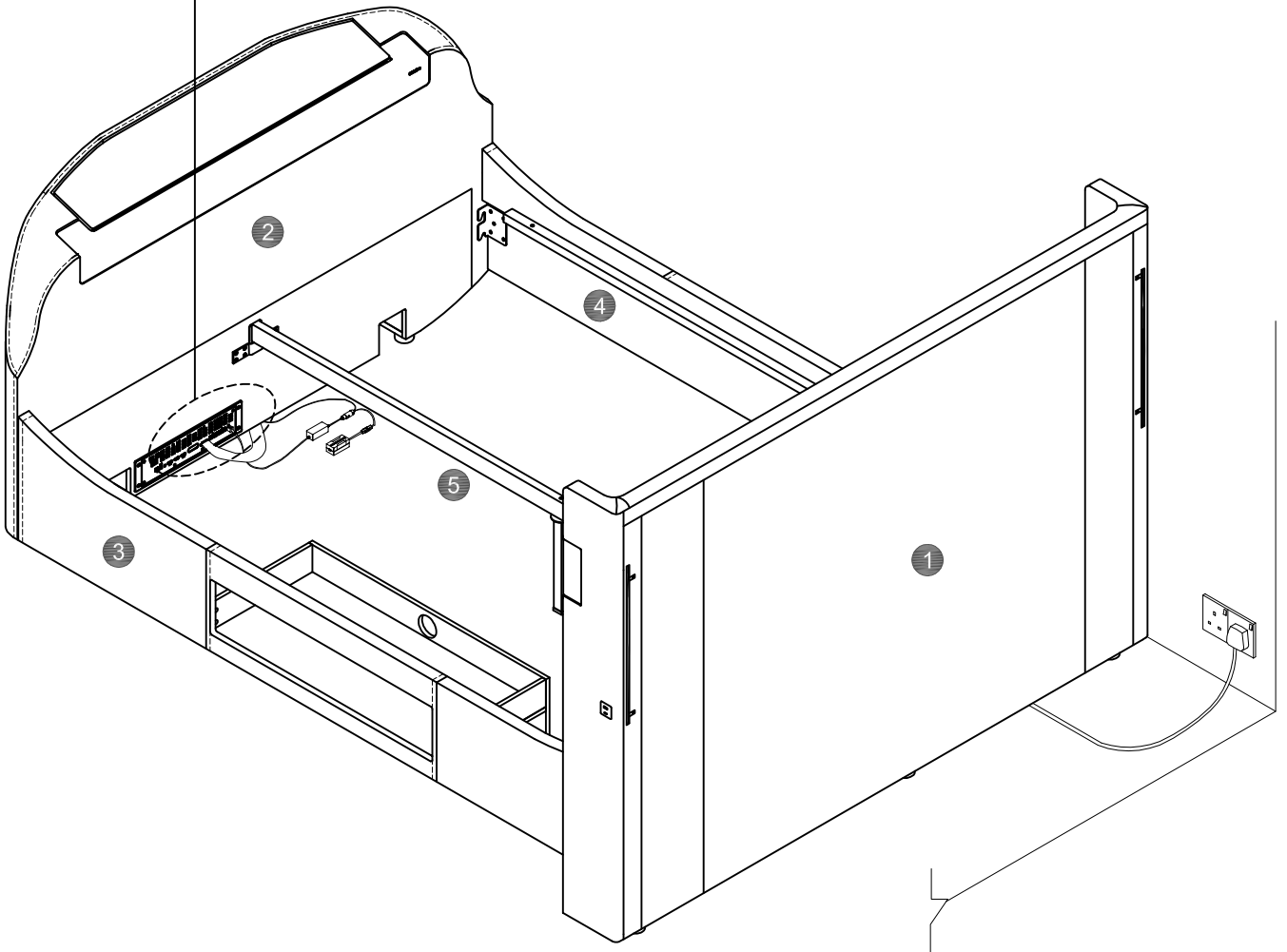
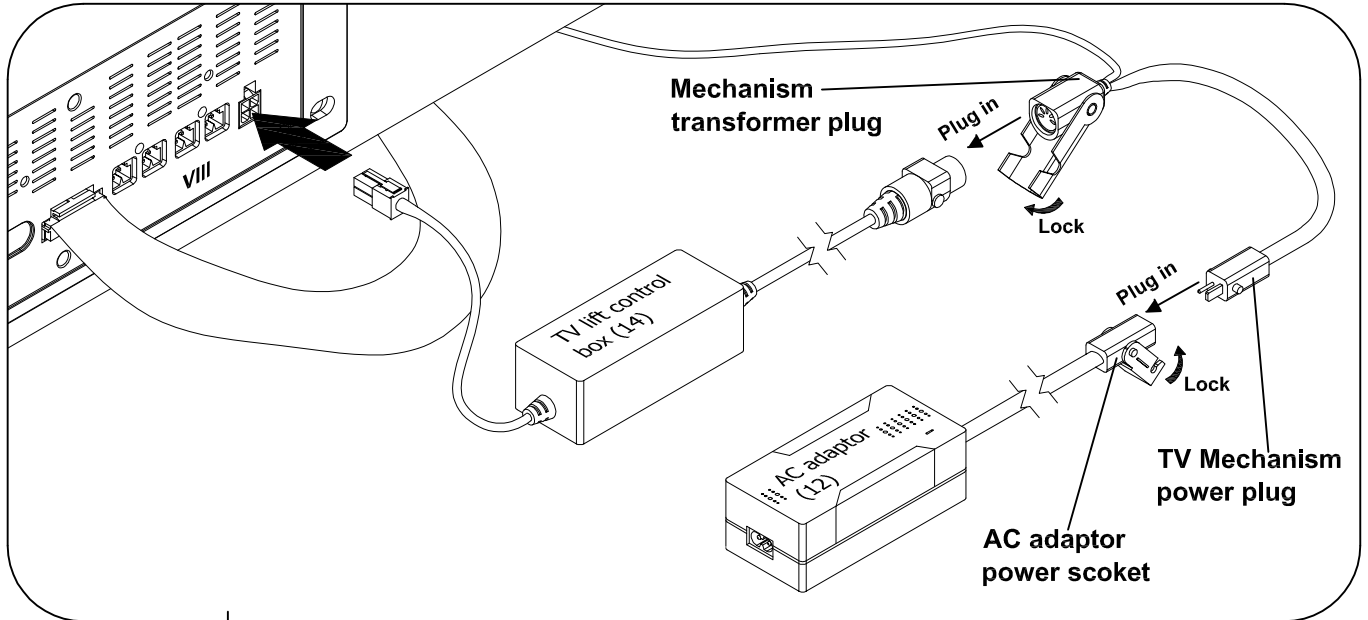


**If the pins of the amplifier data connector are bent, it can affect the function of the amplifier and no display will illuminated. Bent pins can disrupt the proper connection between the amplifier and the sound bar, leading loss of signal transmission and display. It is important to ensure that the pins are straight and properly aligned for amplifier to function correctly.**



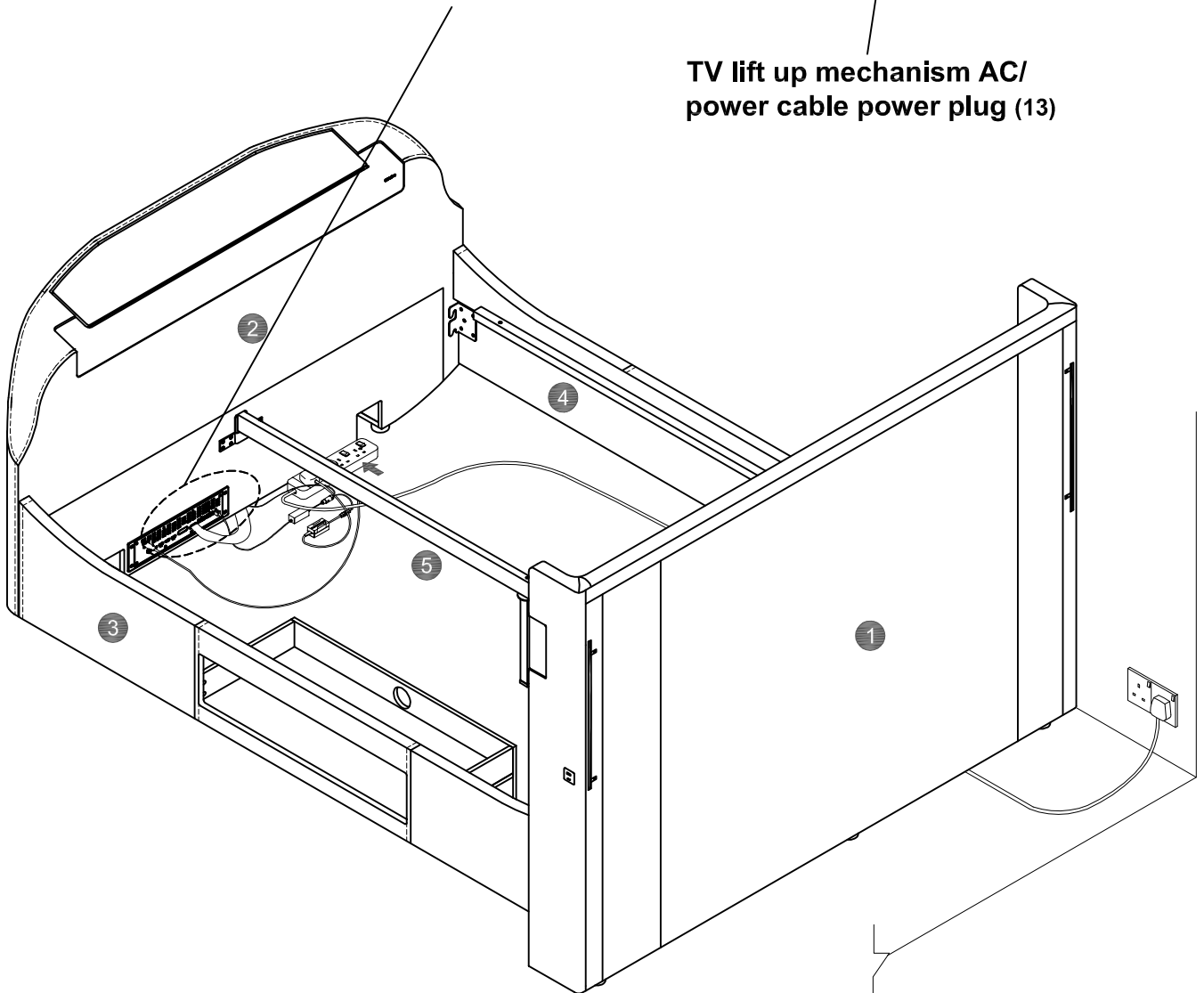
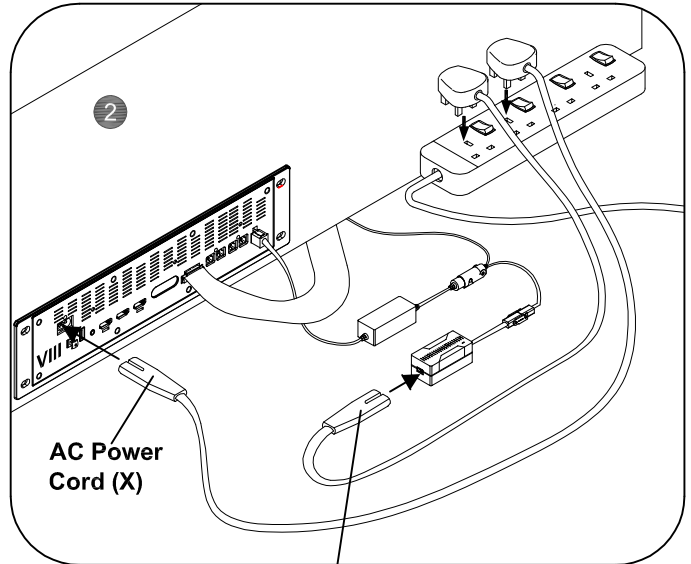
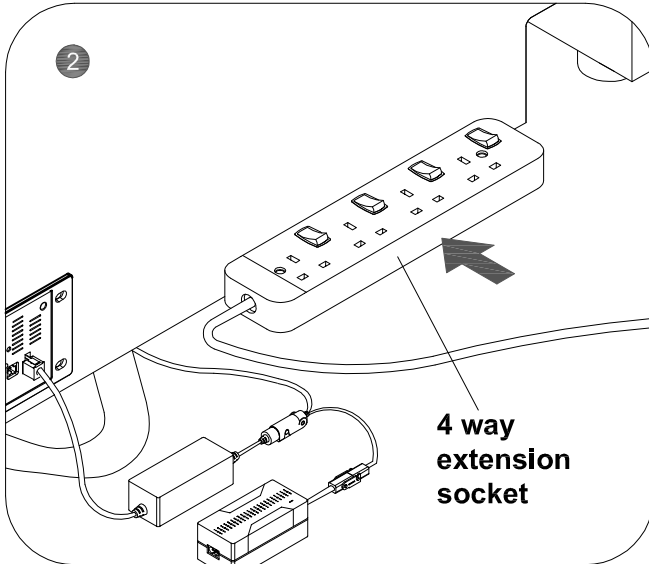
## STEP 13

- Connecting the cable as shown. Failure to do so may result in damage to your product.
- Connect the TV lift control box socket (14) to the Amplifier (VIII) and the Mechanism transformer plug.
- Connect the AC adaptor power socket (12) to TV mechanism power plug.



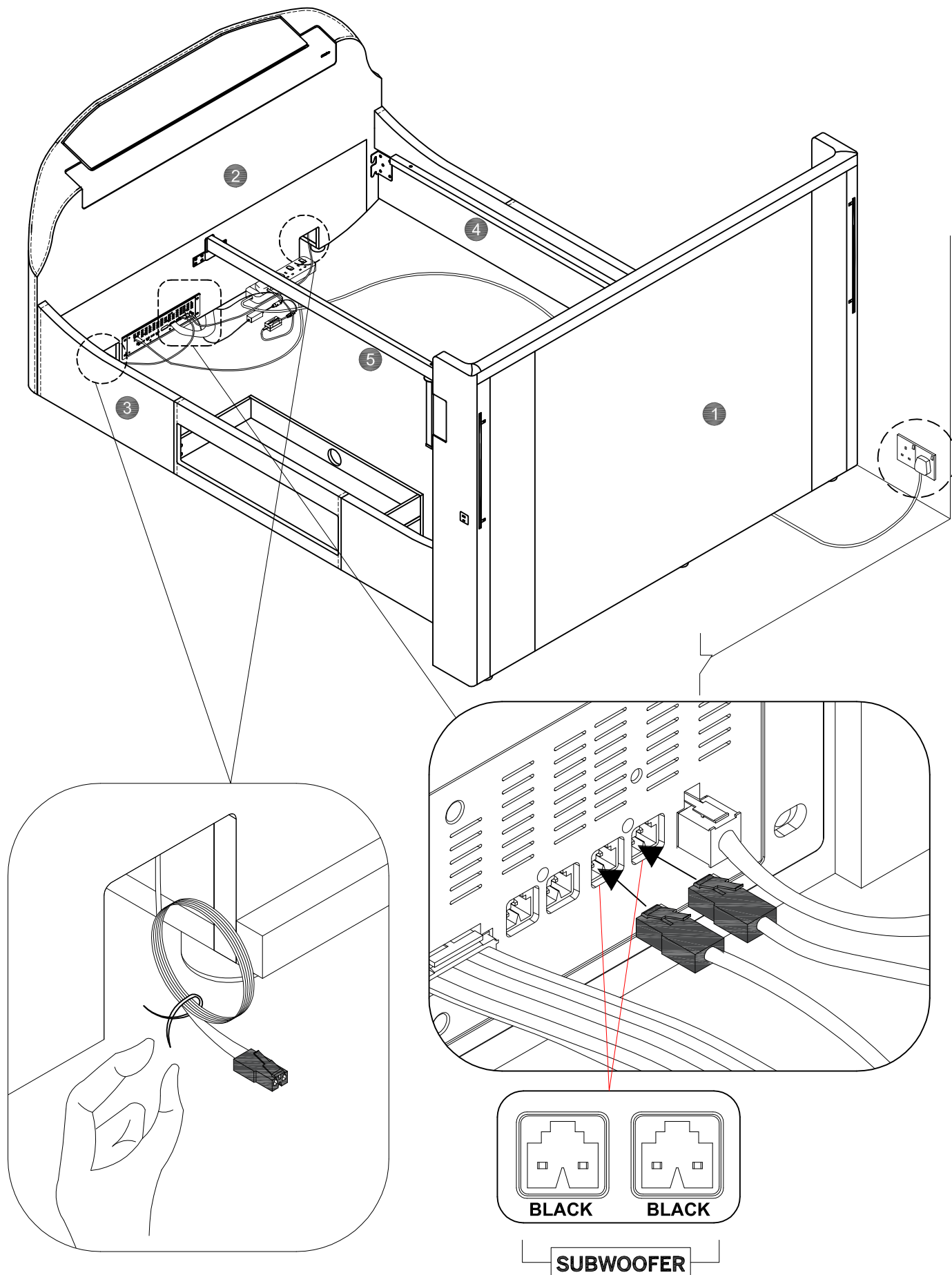
## STEP 14

- Place the 4 way extension socket near to the footboard as shown.
- Connecting the AC power cord (X) to the Amplifier (VIII) and the extension power socket.
- Connecting the TV lift up mechanism AC/ power cable power plug (13) to AC adapter (12) and the extension power socket.
- Connect the extension power socket cable to a working mains power supply.
- Switch on the mains power supply.
- Keep the individual plugs off until required.



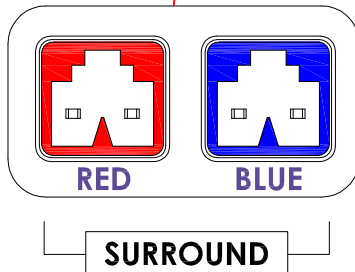
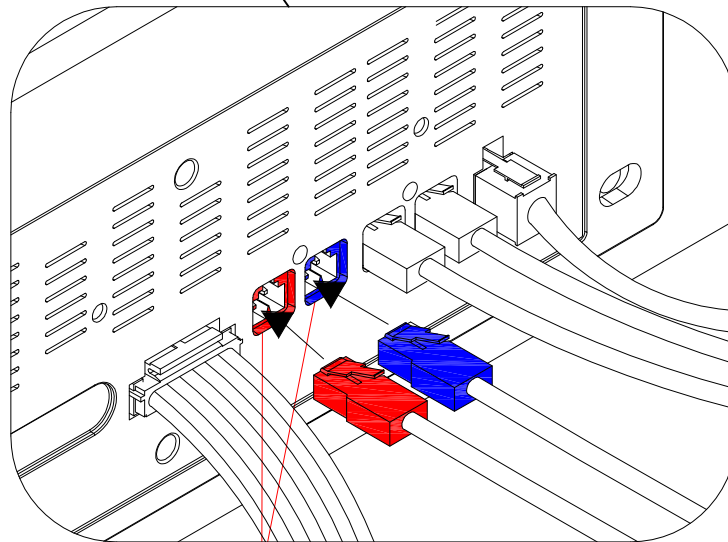
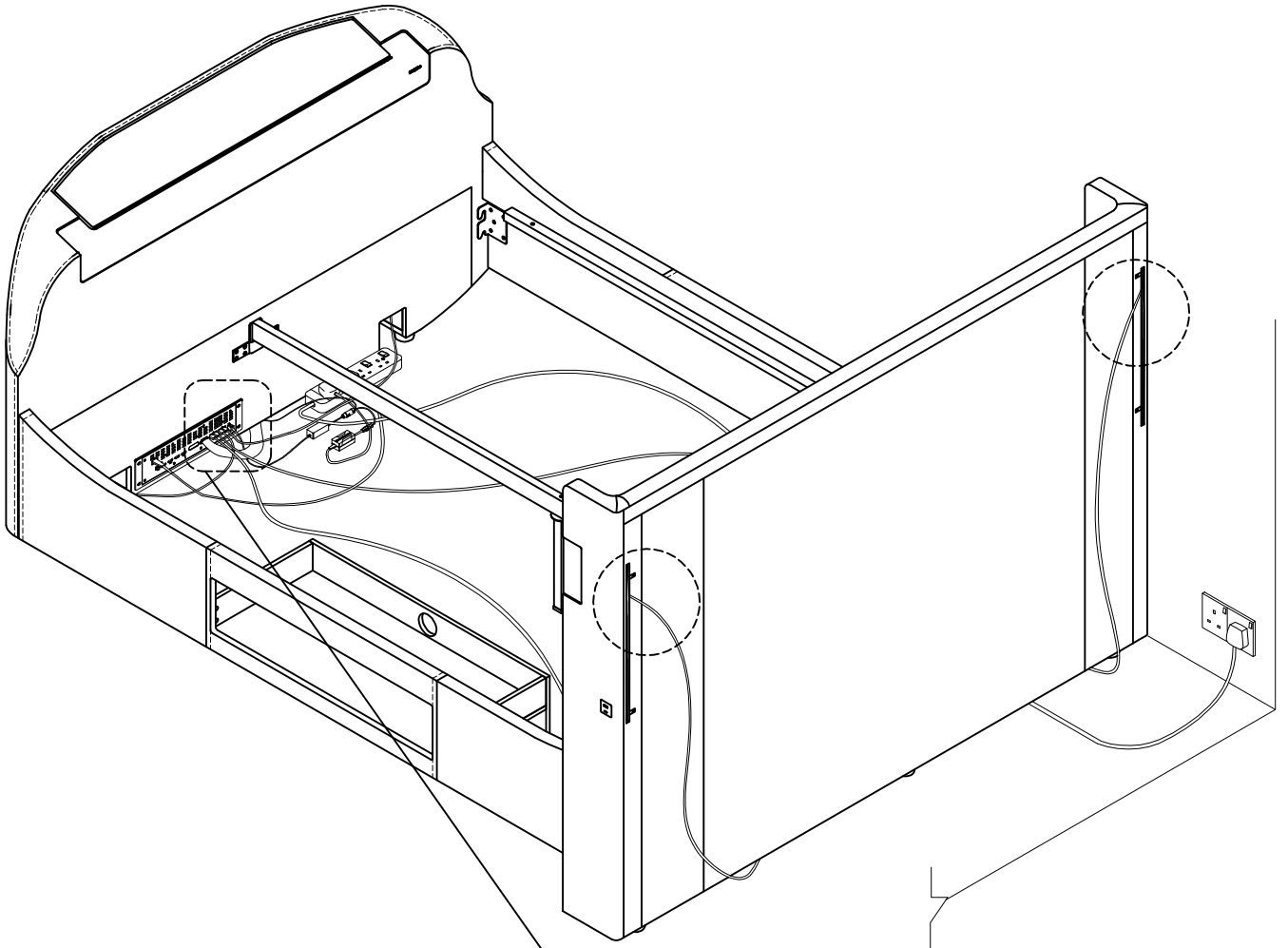
# STEP 15

- Untie both the subwoofer cables located in the foot end cable holes.
- Connect the subwoofer cable to the Amplifier (VIII) as shown.



# STEP 16

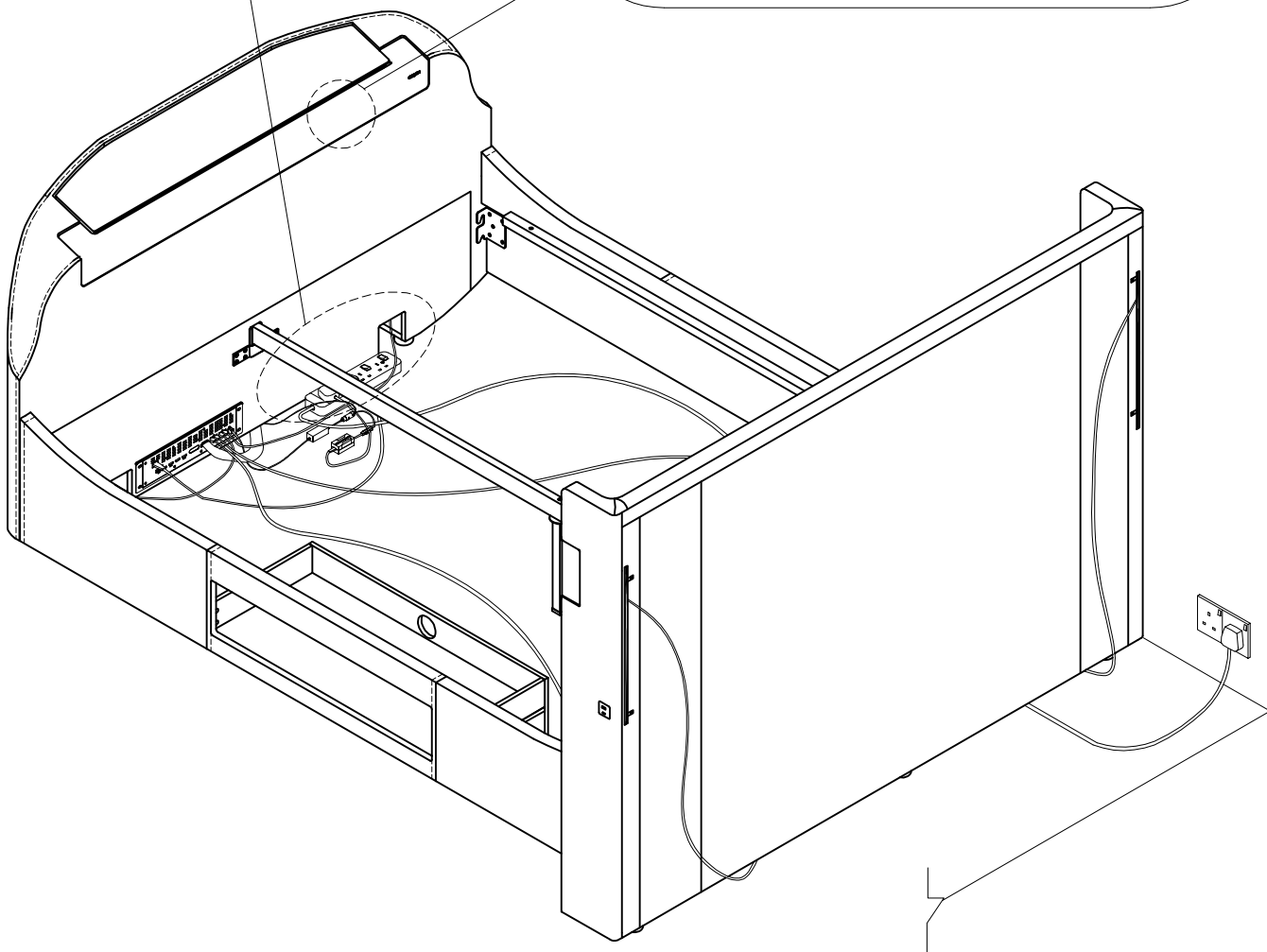
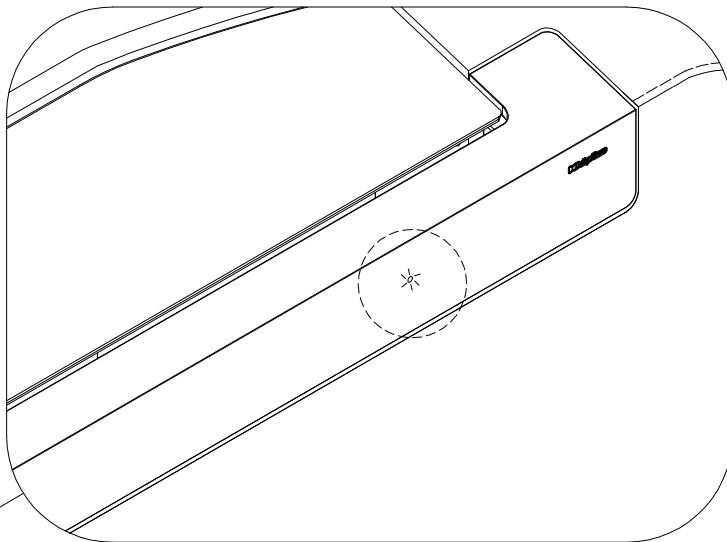
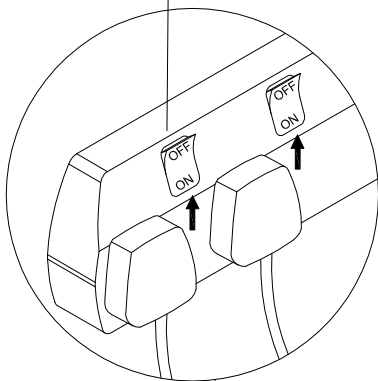
- Connect the surround speaker cable to the Amplifier (VIII) follow the color mark as shown.



# STEP 17

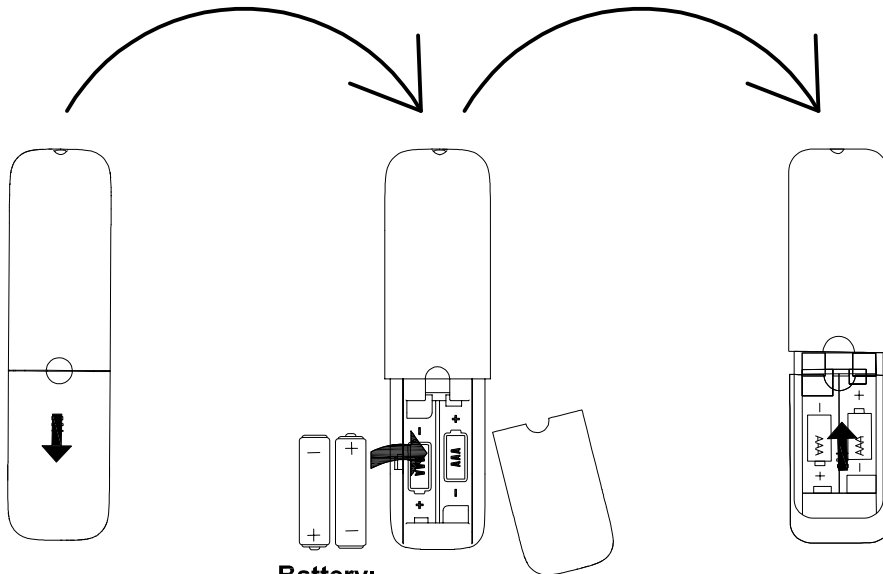
- Switch on the extension power socket, the indicator power on "dot light" will appear on the sound bar (as shown).

Extension power socket



## STEP 18

- Unpack the remote control & battery from pack.
- Turn around the remote control, then press and slide the back cover to open the battery compartment of the remote control.
- Insert two AAA size batteries. Make sure the (+) and (-) terminals of the batteries match the (+) and (-) terminals indicated in the battery compartment.
- Slide up to close the battery compartment cover.



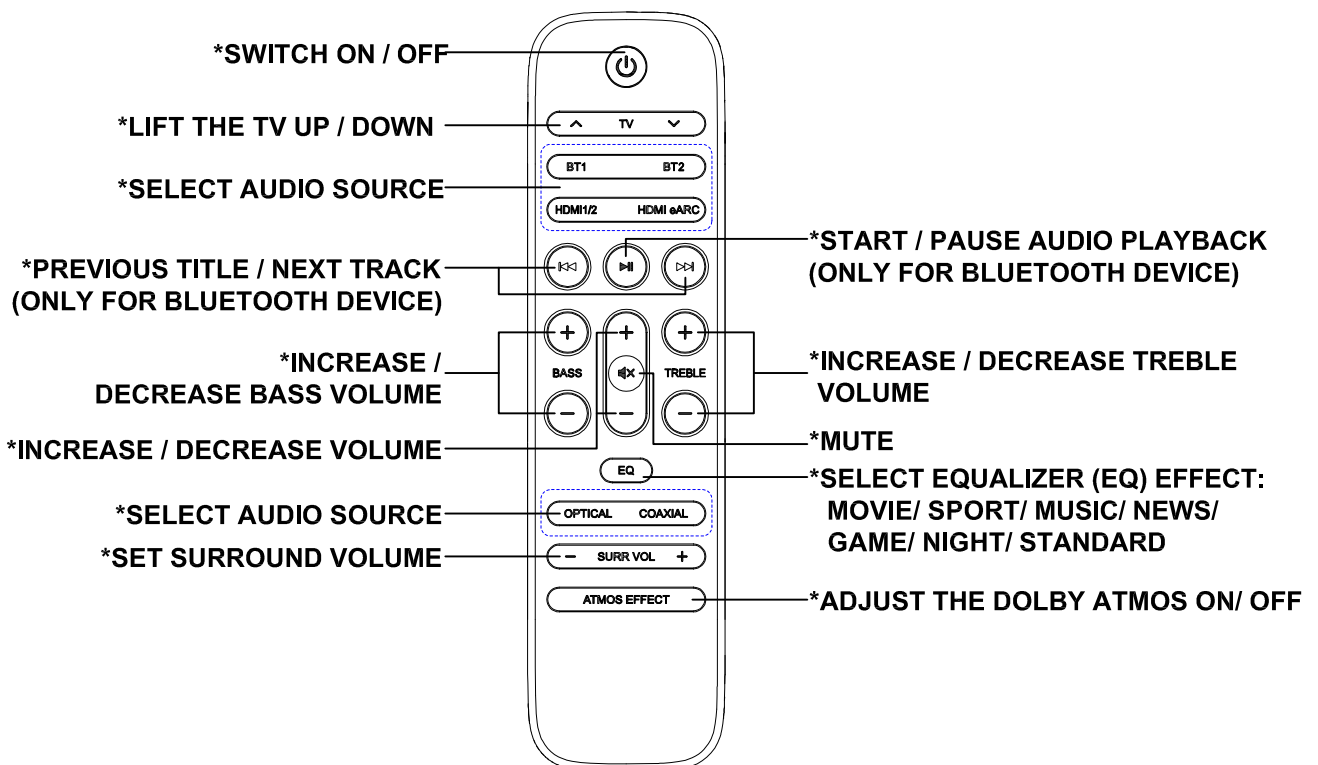
### Battery:

Size: AAA - Ø10.5 X T44.5mm

Spec.: 1.5V

## STEP 19

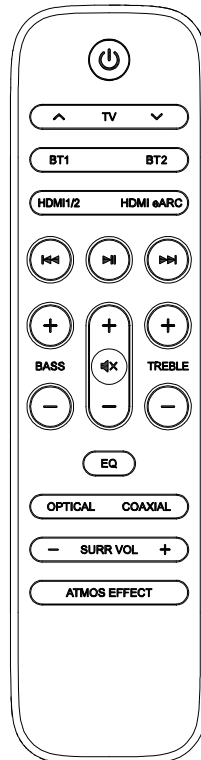
- Remote control.
- For more detail information "Remote Control" please refer to [5.1.2 CH DOLBY ATMOS user manual \( pages 6\)](#).



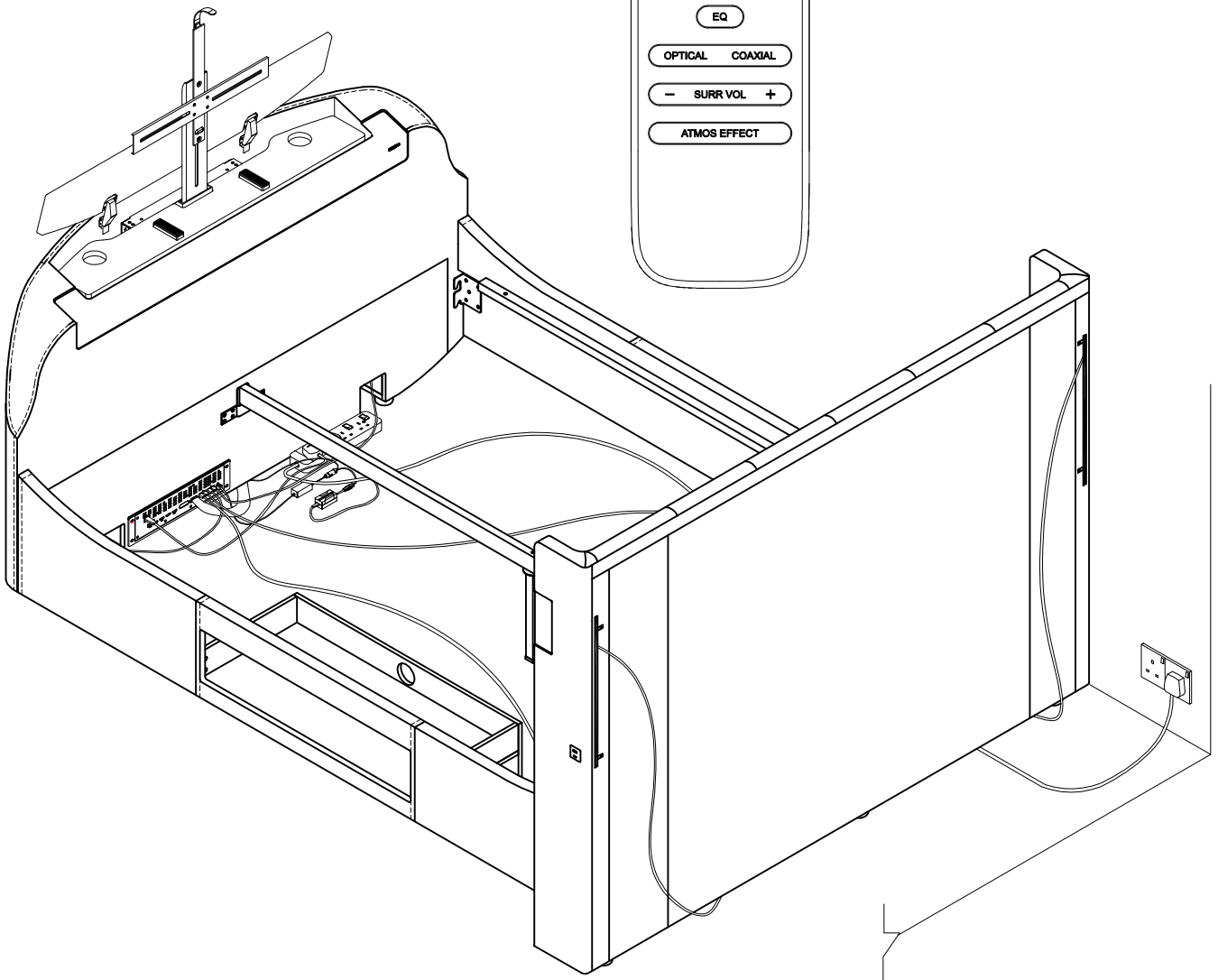
## STEP 20

- Press the switch on / off to on the remote control.
- Press and release "UP" button on the remote control, which will then raise the TV lift mechanism. The footboard lid will open to its full extent. Press and release the "DOWN" button to lower the TV mechanism.
- **NOTE : WHEN OPERATING THE UP / DOWN FUNCTION OF THE TV LIFT MECHANISM ALWAYS ENSURE HANDS ARE AWAY FROM THE INNER EDGE OF THE FOOTBOARD.**
- If the "Remote control" does not operate the TV mechanism, please refer to 5.1.2 CH DOLBY ATMOS user manual ( pages 13) (TROUBLE SHOOTING).

### Remote Control



Always use the remote control to switch off the audio system before you "turn off the main power supply".



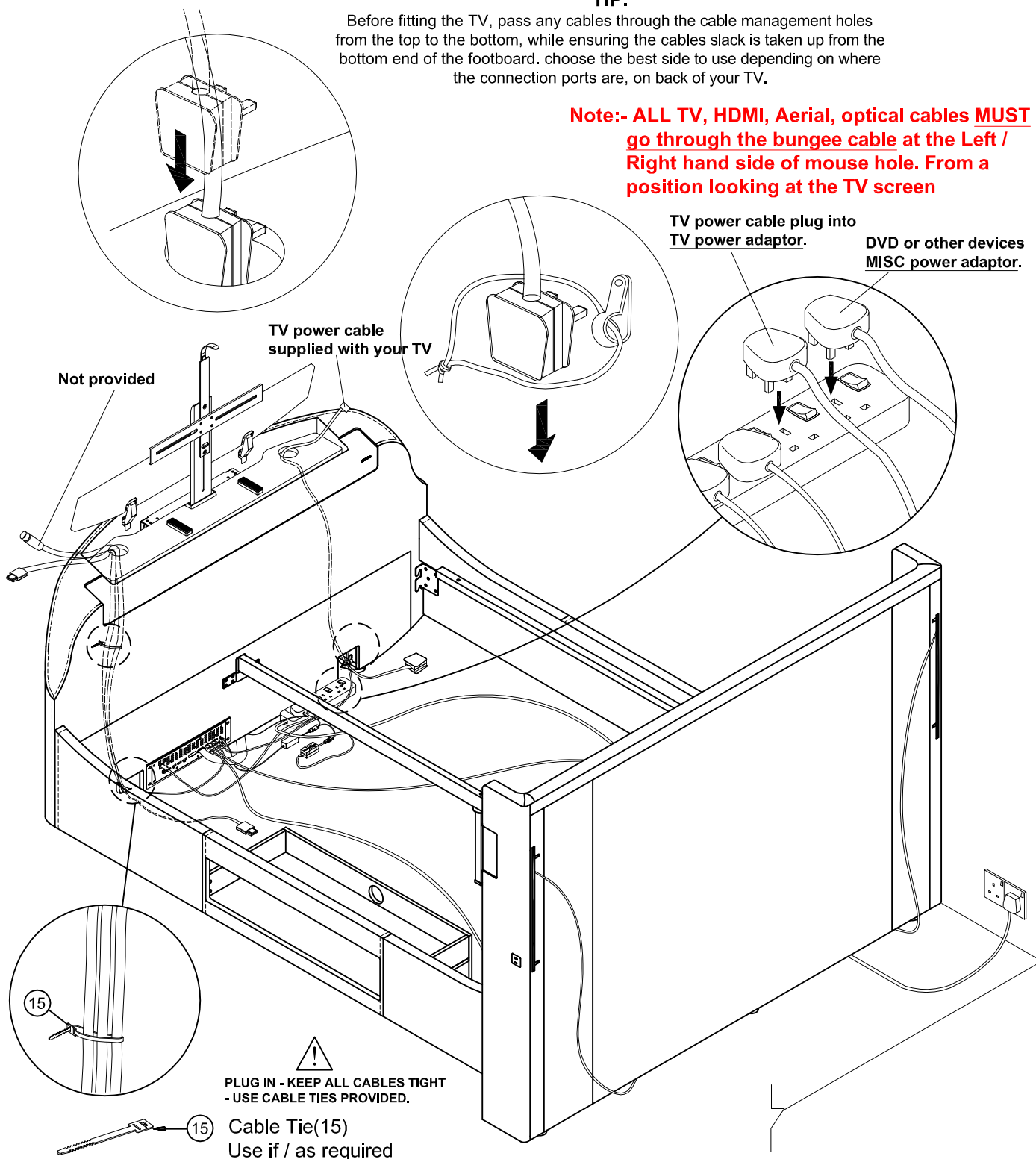
## STEP 21

- **Step 21 ~ 26 is for TV & media installation. Please skip this step if you are not ready.**
- **Cable connection plan. Make sure you have all the relevant cable connections required (HDMI cable, TV Aerial cable, TV power cable, Optical cable etc...) before you install the TV.**
- **The cable management holes are to help you to manage the cable and keep them tidy and free from snags. Pass all cables cleanly through these holes. While ensuring any cable slack is taken up from the bottom end of the footboard.**

### TIP:

Before fitting the TV, pass any cables through the cable management holes from the top to the bottom, while ensuring the cables slack is taken up from the bottom end of the footboard. choose the best side to use depending on where the connection ports are, on back of your TV.

**Note:- ALL TV, HDMI, Aerial, optical cables MUST go through the bungee cable at the Left / Right hand side of mouse hole. From a position looking at the TV screen**



Place all cables through the 'Cable Management' holes to prevent any damage to the cable when the TV Lift Mechanism is operating. Make sure all your the cables are long enough to let the TV Lift Mechanism move freely.

All the cables MUST be carefully pulled and fully extended.

Group the cables together as required below the TV Tray using cable tie(15) provided.

# STEP 22

- Adjust the TV tray to suit the height of your TV (without stand). Please follow below steps.

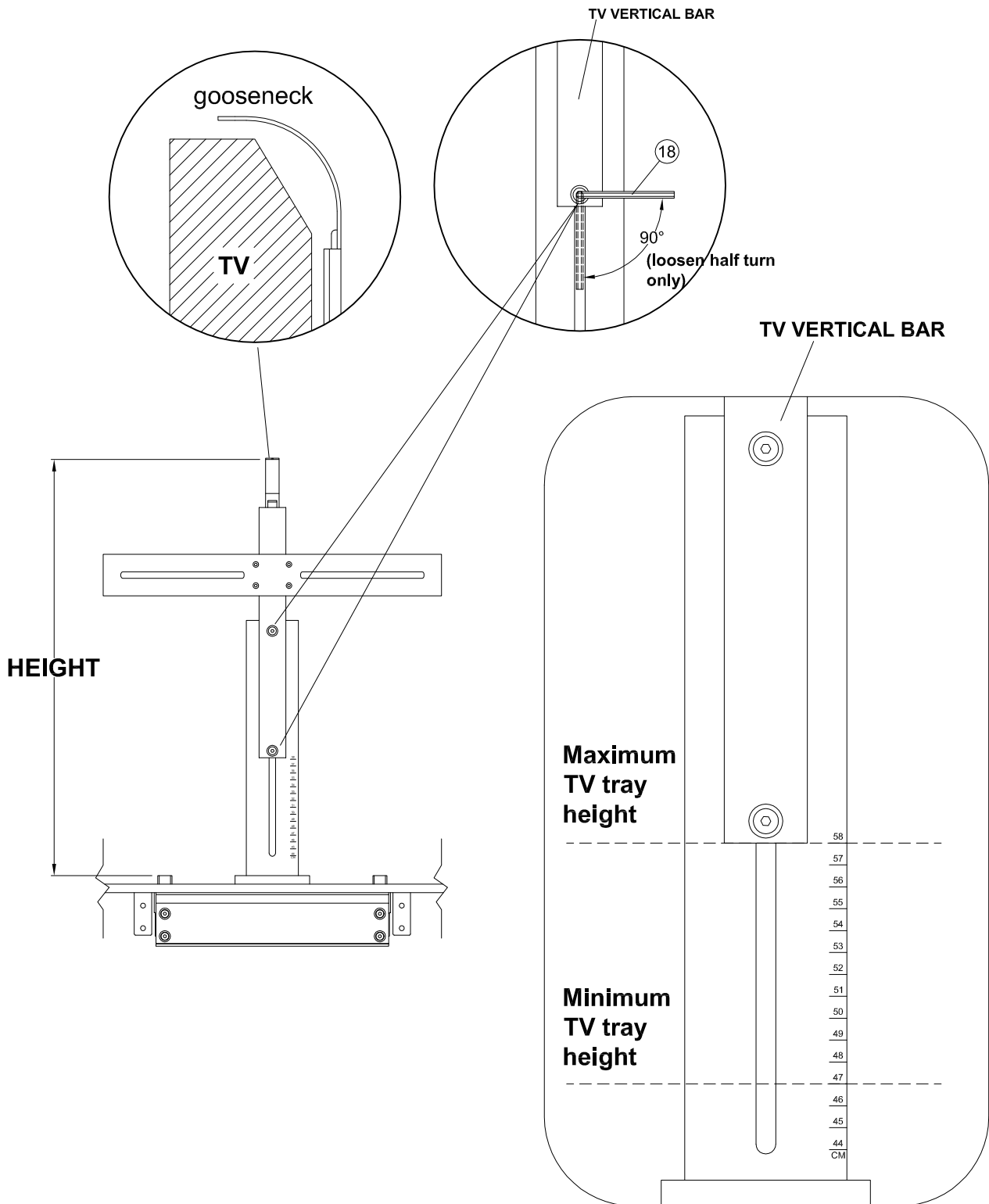
22.1 : Make a note of the height (without stand!) of your television.

22.2 : Use the Allen key (18) to 'slightly' loosen the bolts-'half turn only', do not fully unscrew.  
(Please refer diagram below)

22.3 : Slide "UP/ Down the TV vertical bar to using the measure line to match the noted height of your TV.  
Then fully tighten the bolts.

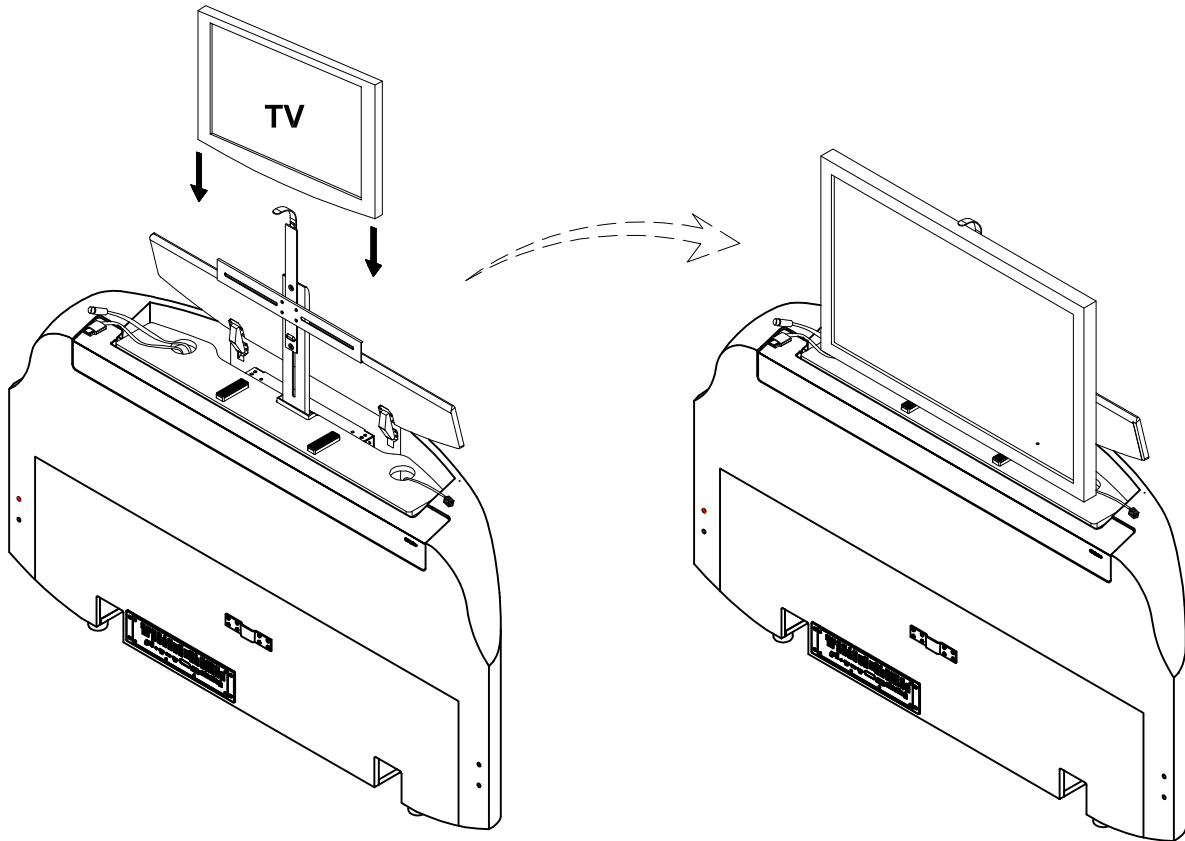
22.4 : When the TV is mounted it should sit neatly just underneath the Gooseneck.

**Note:** The minimum height of the TV Tray is 470mm. If the TV height measures less than 470 mm (without stand) the TV will not fit to the mechanism.



## STEP 23

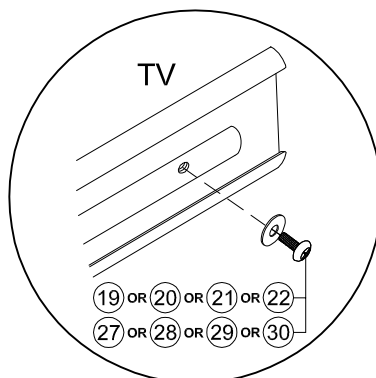
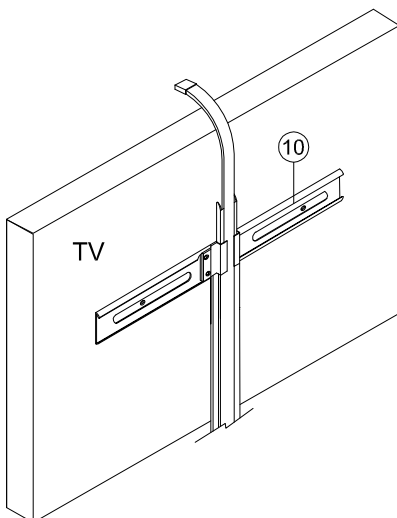
- You are now ready to install your TV.
- Raise the mechanism to it's highest position.
- While standing behind your television (on the outside end of the footboard).
- Carefully place the TV on top of the two rubber TV mounting pedestals - ensuring the Gooseneck arm is perfectly inline with the horizontal 'centre' of the TV.



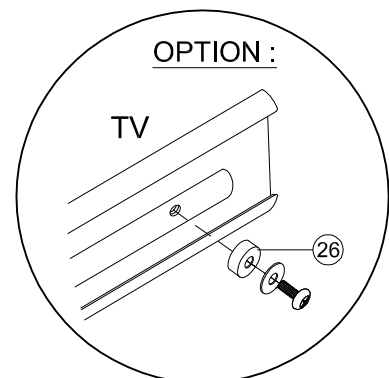
## STEP 24

- TV Bracket

Please note : Item (19) or (20) or (21) or (22) or (27) or (28) or (29) or (30) screws have been supplied to fit most TV models. However sizes may vary depending on the TV model. If smaller or larger size screws are required these should be source from your local hardware store or TV specialist. Washers may also be required. Your retailer may also supply alternative fixings depending on the TV model supplied at the time.



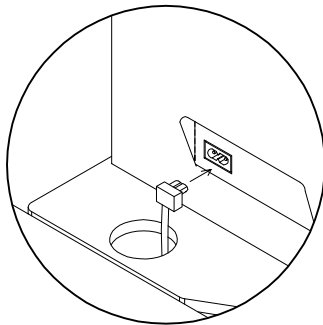
BOLT	(19)	(20)	(21)	(22)
BOLT	(27)	(28)	(29)	(30)
WITH				
WASHER	(23)	(23)	(24)	(25)



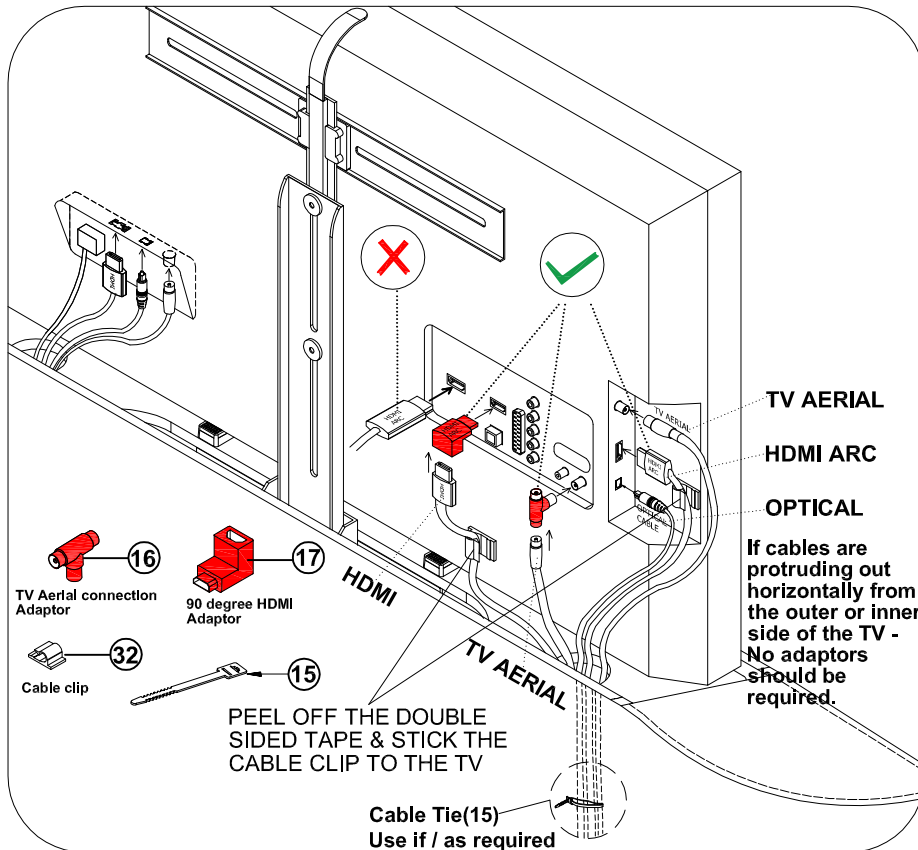
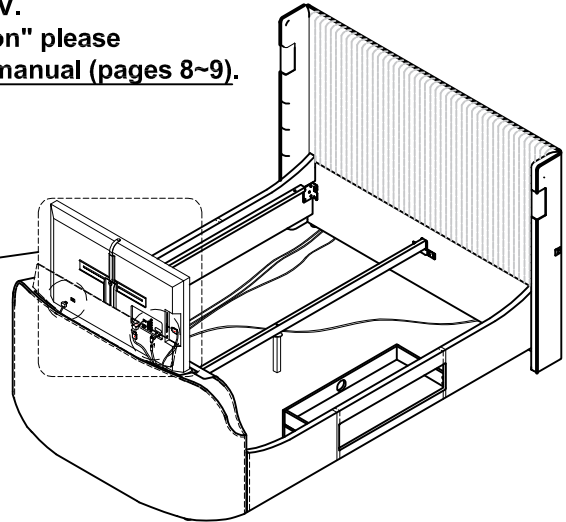
In the event you find the screws are too long for the TV with bracket please use Plastic collar (26) if required.

## STEP 25

- Install all the cable connection to the TV.
- For more detail information "Connection" please refer to 5.1.2 CH DOLBY ATMOS user manual (pages 8~9).

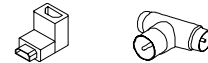


**Note:** For illustration purposes only, TV connections may vary.



**Attention Please Note :** Connecting Your HDMI ARC or Aerial Cable as shown in diagram (X) can seriously Damage Your TV sockets.

To reduce this possibility we have supplied 90 degree adaptors for both HDMI and Aerial connections.



This will reduce the cable protrusion and lessen the possibility of the cable colliding with the bed frame.

**These can be found in the bed frame hardware pack located in Box 2 (foot end).** Please refer to the diagram above for the correct fitting of cables. More detailed information can also be found on page 20 (step 18) of your assembly instructions.

**The manufacturer or retailer will not accept responsibility for any damages arising from incorrect installation.**

### **NOTE**

The audio user manual is available and has been included inside the accessories box. This is importance of providing clear instructions and the audio user manual has been designed to assist users in understanding the features and functionalities of our product. It contains detailed information on how to set up, operate, and troubleshoot any potential issues that may arise.

We highly recommend that you familiarize yourself with the contents of the audio user manual before using the product. It will ensure a seamless and enjoyable experience, while also addressing any queries or concerns that you may have.

### **CAUTION**

If you are using a USB storage device in the TV USB port. It may cause unexplained issues with the TV bed media system . Please unplug the USB storage device when not in use.

### **PLEASE NOTE.**

If you are using TV's which are not listed as compatible in your user instructions, Unusual scenario's may arise with the CEC connection system on your tv. Please note when you are setting up your TV HDMI ARC functions in the Menu SETTINGS. You must enable CEC on the TV.

\*Disable the AUTO UPDATES.

\*Disable CEC on all connected devices FIRESTICK / SKYBOX / BLUE RAY.

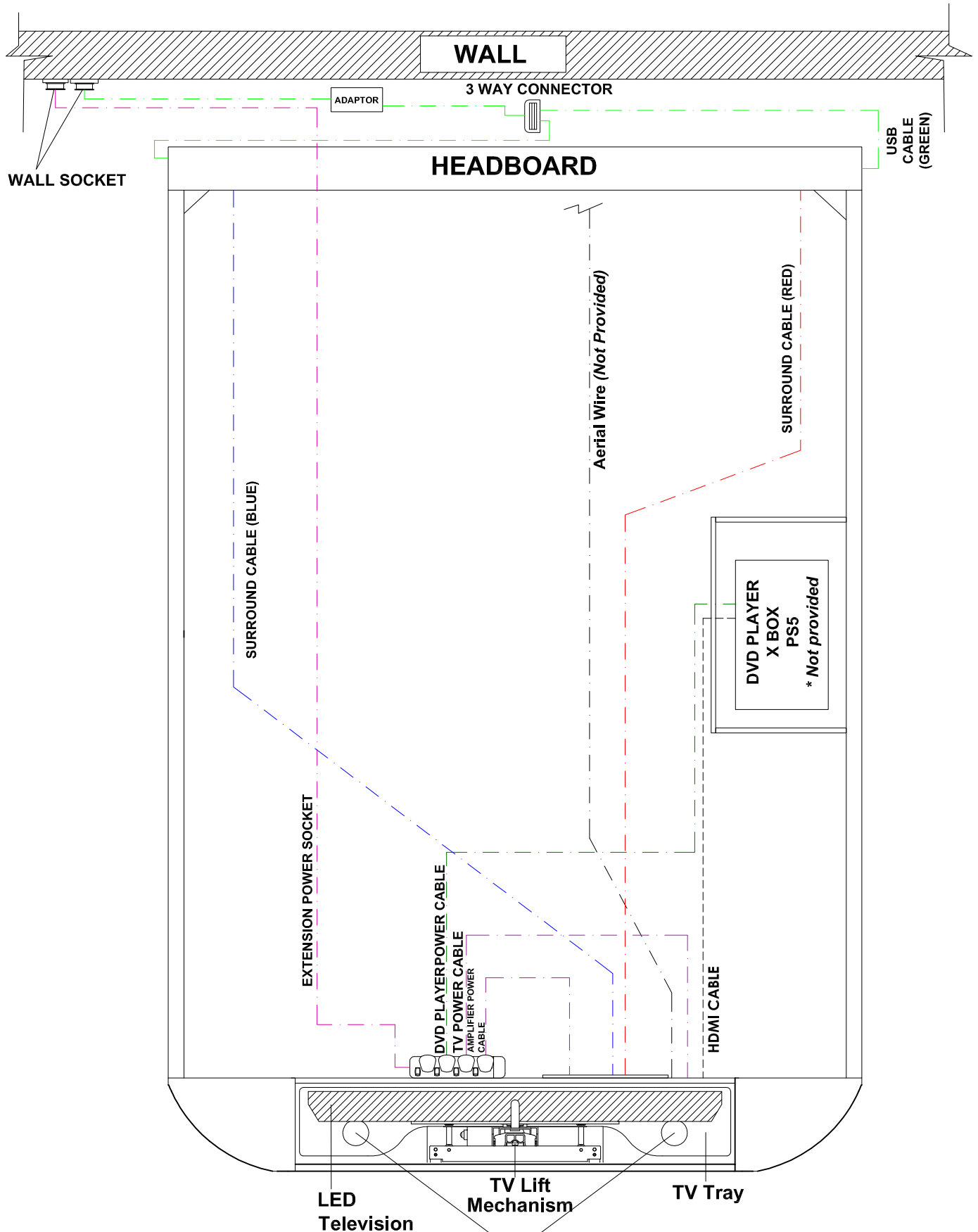
\*Disable AUTO UPDATE on all connected devices.

**FAILURE TO FOLLOW THIS INSTRUCTION WILL RESULT IN THE TV RANDOMLY GOING UP AND DOWN DUE TO HDMI SIGNALS BEING TRANSMITTED DURING THE STAND BY PERIOD.**

**NOTE:** The cables port for television, DVD, TV aerial etc may not be the same as shown above and vary depending on TV model.

# STEP 26

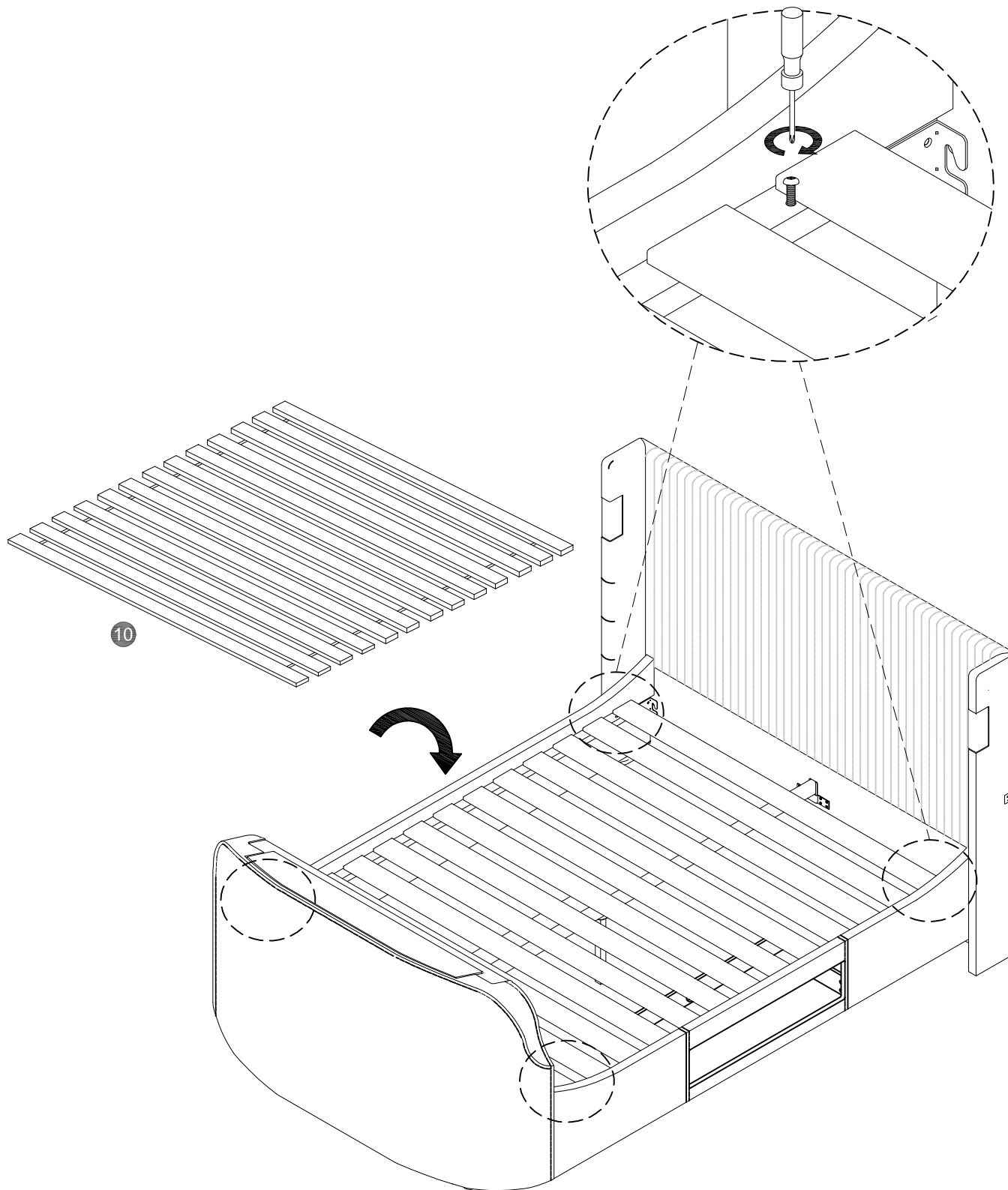
## • Detail Wiring Connection Plan.



\* The TV cable main supply can be put on either the left or right side depending on the TV port location. **DO NOT PASS ANY CABLES ACROSS THE BACK OF THE MECHANISM.**

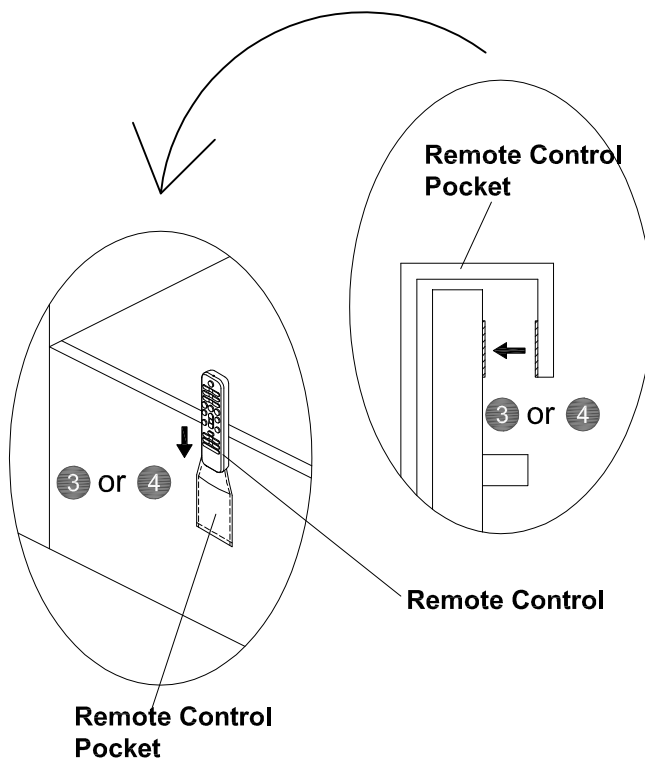
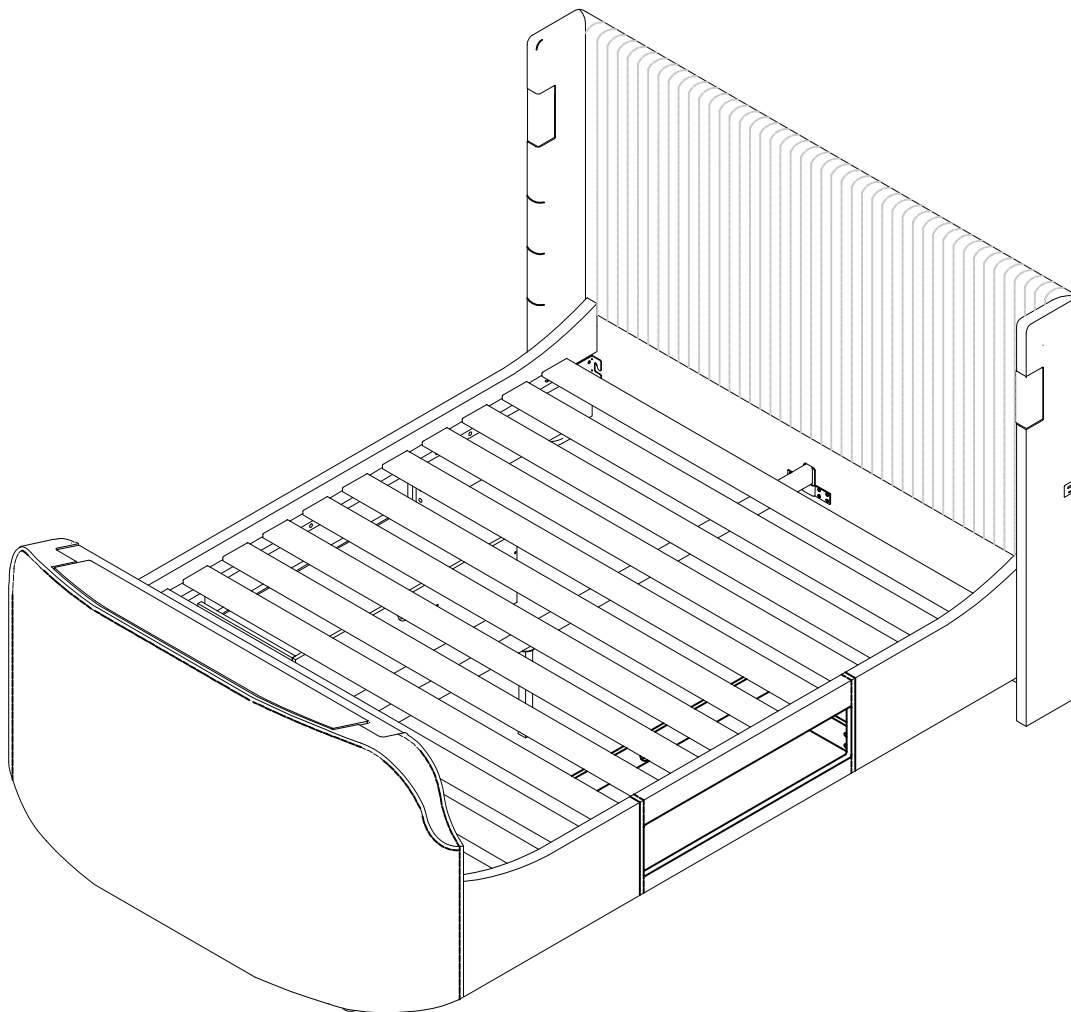
## STEP 27

- Fix the bolts attached to the Side Rail Slat Support.
- Lay the Flat Slat on top of the Slat Support Rail.
- The first and last Slat should be laid next to the Bolts install at the Support Rail.

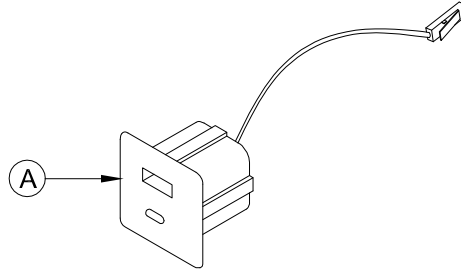


**STEP 28**

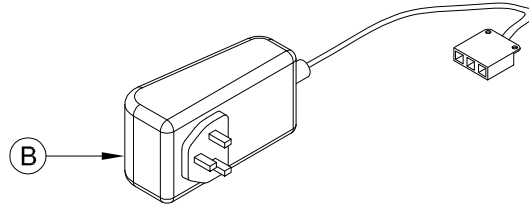
- Attach the Remote Control Pocket to the left or right sides of the side rail as preferred.



# CHARGING OPTI-SERVE SPARE PARTS LIST

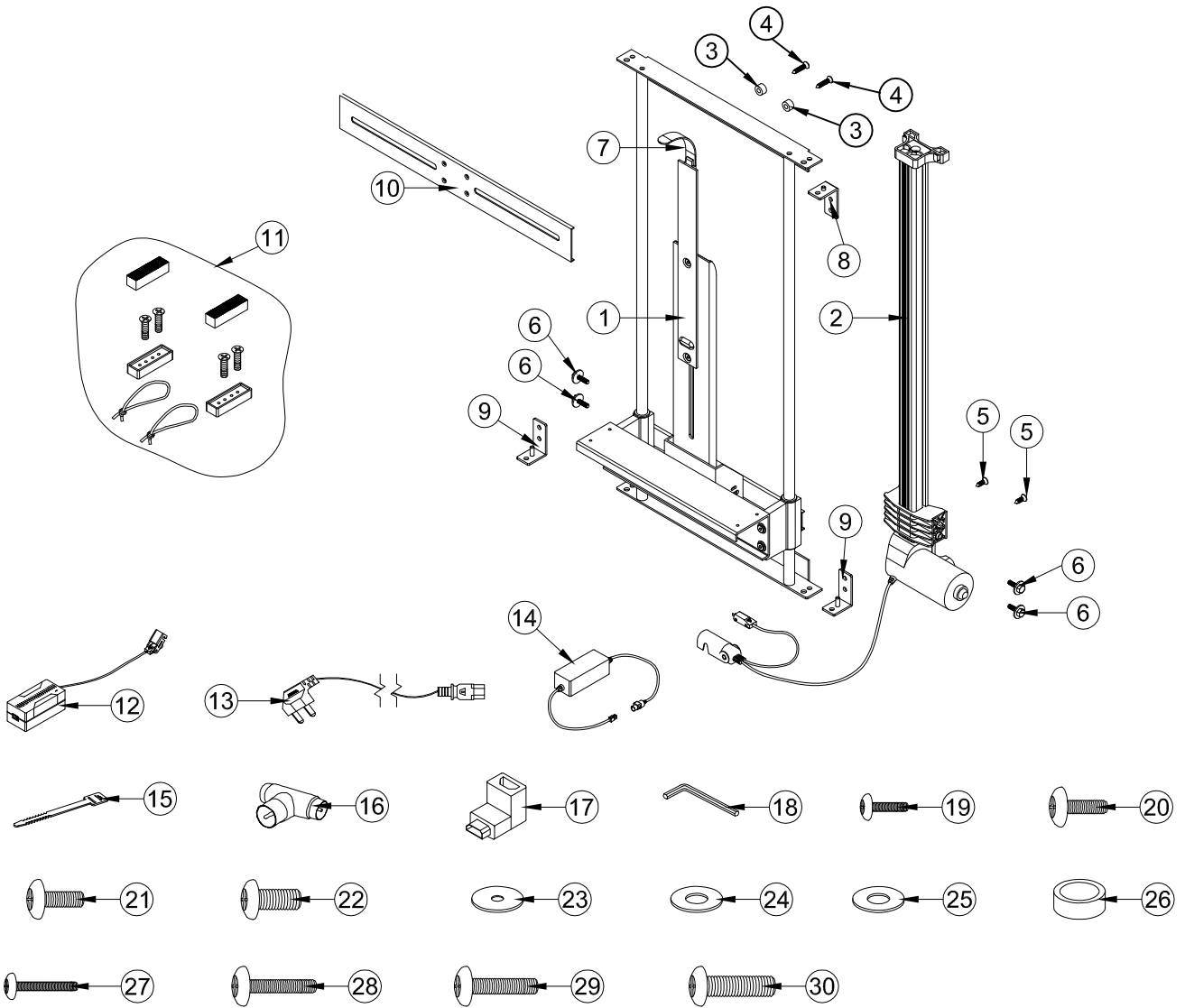


ITEM NO	PART DESCRIPTION	IV CODES
A	INPUT 12V DC, OUTPUT 5V DC MAX 2*1A	IV000125



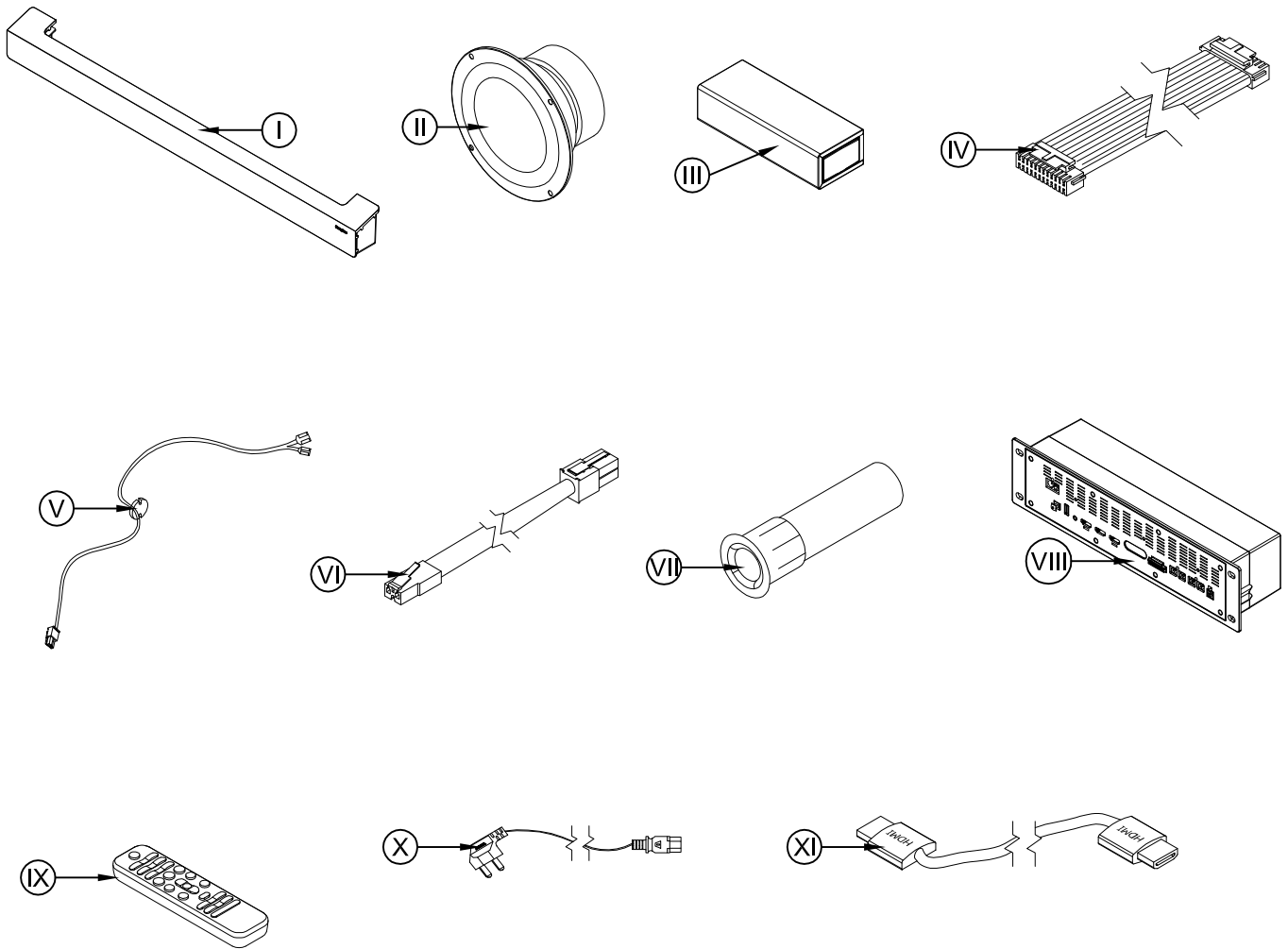
ITEM NO	PART DESCRIPTION	IV CODES
B	3 Way Adaptor - Output 12V DC Max 24W (UK)	IV001436

# G4 TV LIFT MECHANISM- OPTI-SERVE SPARE PARTS LIST



ITEM NO.	PART DESCRIPTION	IV CODES
1	Main TV-lift up mechanism (pre-assemble)	
2	TV-linear actuator G4 (pre-fixed)	IV 001282
3	Actuator mounting top spacer (2pcs) (pre-fixed)	
4	Cross recessed countersunk flat head wood screw- Top mounting M6 x 30mm (2pcs) (pre-fixed)	
5	Cross recessed countersunk flat head wood screw- Top mounting M6 x 20mm (2pcs) (pre-fixed)	
6	Actuator mounting bolt- screw M6 x 20mm (4pcs) (pre-fixed)	
7	Gooseneck (pre-fixed)	IV 001289
8	Top hanging bracket (2pcs) (pre-fixed)	IV 001636
9	Bottom hanging bracket (2pcs) (pre-fixed)	
10	TV- flat bracket (Vesa Bracket) (pre-fixed)	IV 001290
11	TV block (2pcs), screw M4 x 35mm (4pcs), block rubber cover (2pcs), cable management bungee cable (2pcs) (pre-fixed)	IV 001635
12	AC-DC Adaptor 29-2A (1pc)	IV 000062
13	TV-lift up mechanism AC/ power-cable power plug UK (1pc)	IV 001295
14	Control Box KDDY 083A-1K1-KD (1pc)	IV 000061
15	Cable clip (2pcs)-use to fix wire	
16	Aerial connection (1pc)	
17	90 degree HDMI adaptor (1pc)	
18	Allen key (M4) (1pc)	
19	Pan head screw M4 x 20mm (2pcs)	
20	Pan head screw M5 x 20mm (2pcs)	
21	Pan head screw M6 x 20mm (2pcs)	
22	Pan head screw M8 x 20mm (2pcs)	IV 001634
23	M5 washer (2pcs)	
24	M6 washer (2pcs)	
25	M8 washer (2pcs)	
26	Plastic collar (6pcs)	
27	Pan head screw M4 x 40mm (2pcs)	
28	Pan head screw M5 x 40mm (2pcs)	
29	Pan head screw M6 x 40mm (2pcs)	
30	Pan head screw M8 x 40mm (2pcs)	
31	Pan head screw M8 x 40mm (2pcs)	

## 5.1.2 AUDIO- OPTI-SERVE SPARE PARTS LIST



ITEM NO.	PART DESCRIPTION	IV CODES
I	U Sound Bar DOLBY ATMOS Audio & Metal Bracket(3pcs) (pre-fixed)	IV 000047
II	Woofer 4 Inch DOLBY ATMOS Audio- rsr (pre-fixed)	IV 000052
III	Surround Speaker & Flat Metal Bracket(2pcs) DOLBY ATMOS Audio- rsr (pre-fixed)	IV 000049
IV	Amplifier 180W communicate cord x 1.2m + 4 cable long clip DOLBY ATMOS Audio- rsr (pre-fixed)	IV 000045
V	Woofer 4 inch cable x 1.6m DOLBY ATMOS Audio- rsr (pre-fixed)	IV 000054
VI	Surround speaker cable x 4m DOLBY ATMOS Audio- rsr (RED / BLUE) (pre-fixed)	IV 000051 / IV 000055
VII	Woofer tube D43 x 180mm DOLBY ATMOS Audio- rsr (pre-fixed)	IV 000053
VIII	Amplifier 180W DOLBY ATMOS Audio- rsr (pre-fixed)	IV 000044
IX	IR remote control DOLBY ATMOS Audio- rsr	IV 000056
X	Power AC Cord Amplifier DOLBY ATMOS Audio- rsr (1pc)	IV 000058
XI	HDMI cable 2.0m DOLBY ATMOS Audio- rsr (1pc)	IV 000046

# SPECIFICATIONS

## SPECIFICATION-TV MECHANISM

FEATURE	Wireless Remote Control-TV LIFT MECHANISM
INPUT	100V-240V~ 50/60Hz 1500mA
OUTPUT	29V ---- 2A
DUTY CYCLE	MAX 10% ; MAX 2 min / 18 min
BATTERY (WIRELESS REMOTE CONTROL)	Size: AAA - Ø10.5 X T44.5mm - Spec.: 1.5V

## SPECIFICATION-5.1.2 CH DOLBY ATMOS

<b>System Section</b>	Power Supply	100-240V ~ 50/60Hz
	Power Consumption	30 W
	Power Consumption of Standby	< 0.5 W
	Impedance	8Ω x 6 + 4Ω
	Audio input sensitivity	500mV
	Frequency Response	120Hz - 20KHz
<b>MAX Output Power by speaker</b>	Total	180W
	Soundbar	15W x 2 + 30W
	Up Firing	15W x 2
	Surround	15W x 2
	Subwoofer	30W x 2
<b>Bluetooth</b>	Version / profiles	V 4.2 (A2DP, AVRCP)
	Maximum power transmitted	≤ 5 dBm
	Frequency bands	2400 MHz ~ 2483.5 MHz
<b>Remote Control</b>	Distance / Angle IR Frequency	6m / 30°
	Battery type	2 x LRO3, 1.5V, AAA
<b>Driver Size</b>	Soundbar	1.5" x 2 + 2.5" + 2" x 4+φ20mm x 2
	Subwoofer	4" x 2
	Surround	2" x 2

\* Specification subject to change without prior notice. Measured under specific conditions.