

Birlea

Suppliers of inspiration

Assembly Instructions

Thank you for
purchasing a
Birlea product.

For a chance to win a *Love 2 Shop* voucher simply post a picture of your new product on your preferred social channels tagging Birlea Furniture and using the hashtag **#ShareYourStyle** and **#Birlea**. One winner will be selected at random each month.

To view our full terms and conditions please visit our website. www.birlea.com

Are you happy with your purchase?

Yes: That's great, we would love to hear more from you. Please leave us a review on our social media channels or Trustpilot. Your feedback will be greatly appreciated.

No: If for any reason there is something missing, indifferent or incorrect with your order, please contact the retailer you purchased the item from. We will work with the retailer to resolve your issue as quickly as possible.



www.birlea.com

ASSEMBLY INSTRUCTIONS **CROXLEY 2 DOOR 1 DRAWER RATTAN WARDROBE**

IMPORTANT : READ THESE INSTRUCTIONS CAREFULLY BEFORE ATTEMPTING TO ASSEMBLE OR USE YOUR CROXLEY 2 DOOR 1 DRAWER RATTAN WARDROBE.

PLEASE KEEP THESE INSTRUCTIONS FOR FUTURE REFERENCE.

ASSEMBLY:

Assembly should be carried out with this item laying flat, not standing upright.

Assemble on a soft, clean surface to prevent damages.

To erase the numbers printed on the pieces, use the rubber inside the accessories pack.

HEALTH & SAFETY:

DO NOT use this product if any parts are missing, damaged or worn.

DO NOT use this product unless all fixings are secured.

Always use on a level, even surface.

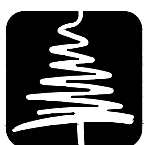
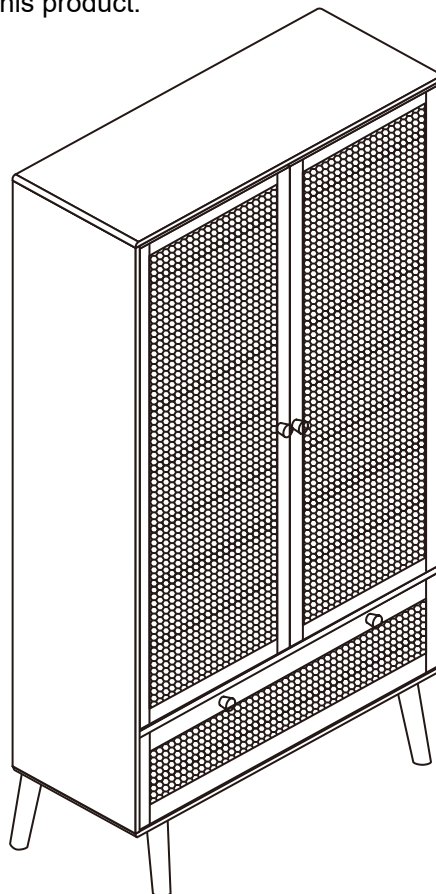
CARE & MAINTENANCE:

Periodically check all screws & fixings to ensure they are secure.

DO NOT push this product as this will cause damage.

Always lift this product with two people to repositions.

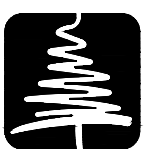
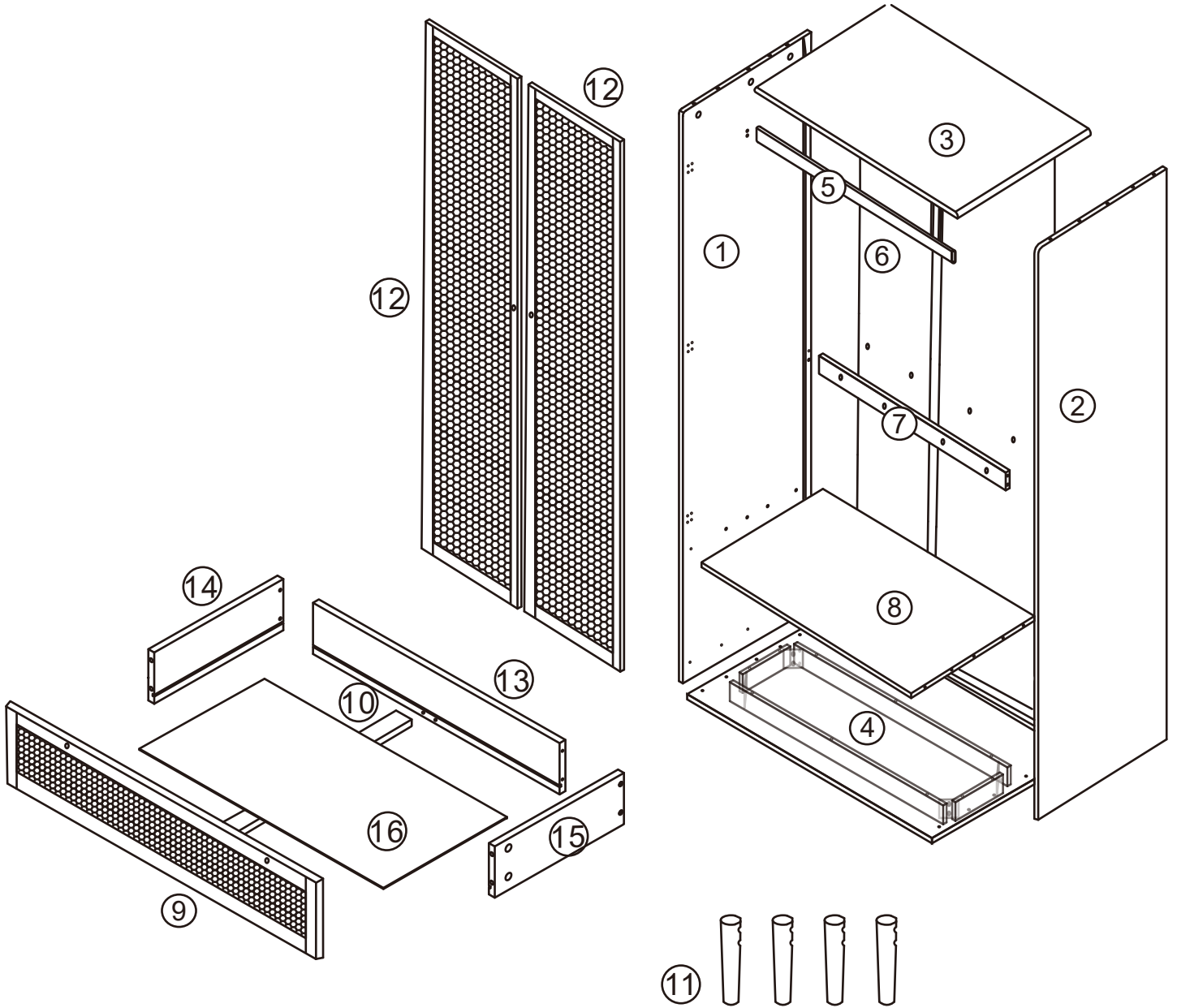
Keep any sharp objects away from this product.



Birlea






Suppliers of inspiration

www.birlea.com



Birlea

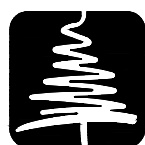
Suppliers of inspiration

Parts List				Hardware List		
Part	Description	Box	Qty	Part	Description	Qty
1	Side Panel(Left)	1	1	A	Cam Bolt 	21
2	Side Panel(Right)	1	1	B	Cam Lock 	21
3	Top Panel	2	1	C	Wooden Dowel 	14
4	Bottom Panel	2	1	D	Screw 	5
5	Hanging	2	1	E	Handle+Screw 	4
6	Back Panel	1	1	F	Screw 	2
7	Back Rail	2	1	G	Screw 	50
8	Middle Divider	2	1	H	Tube bracket 	2
9	Drawer Front	2	1	I	Plastic Wedge+Screw 	10
10	Drawer Support Rail	2	1	J	Food Pad 	4
11	Wooden Leg	2	4	K	Hole Sticker 	10
12	Door panel	1	2	L	Washer 	2
13	Drawer Back	2	1	M	Safe Strap 	2
14	Drawer Side(Left)	2	1	N	Screw 	6
15	Drawer Side(Right)	2	1	O	Allen key 	1
16	Drawer Bottom	2	1	P	Hinges 	6
				Q	Screw 	8
				DL	Rail 	1
				DR	Rail 	1
				CL	Rail 	1
				CR	Rail 	1
				R	Door Stopper 	4
				S	Screw 	4

**** You will need a small mallet and a screwdriver for assembly.**

**** Some screws and wooden dowel**

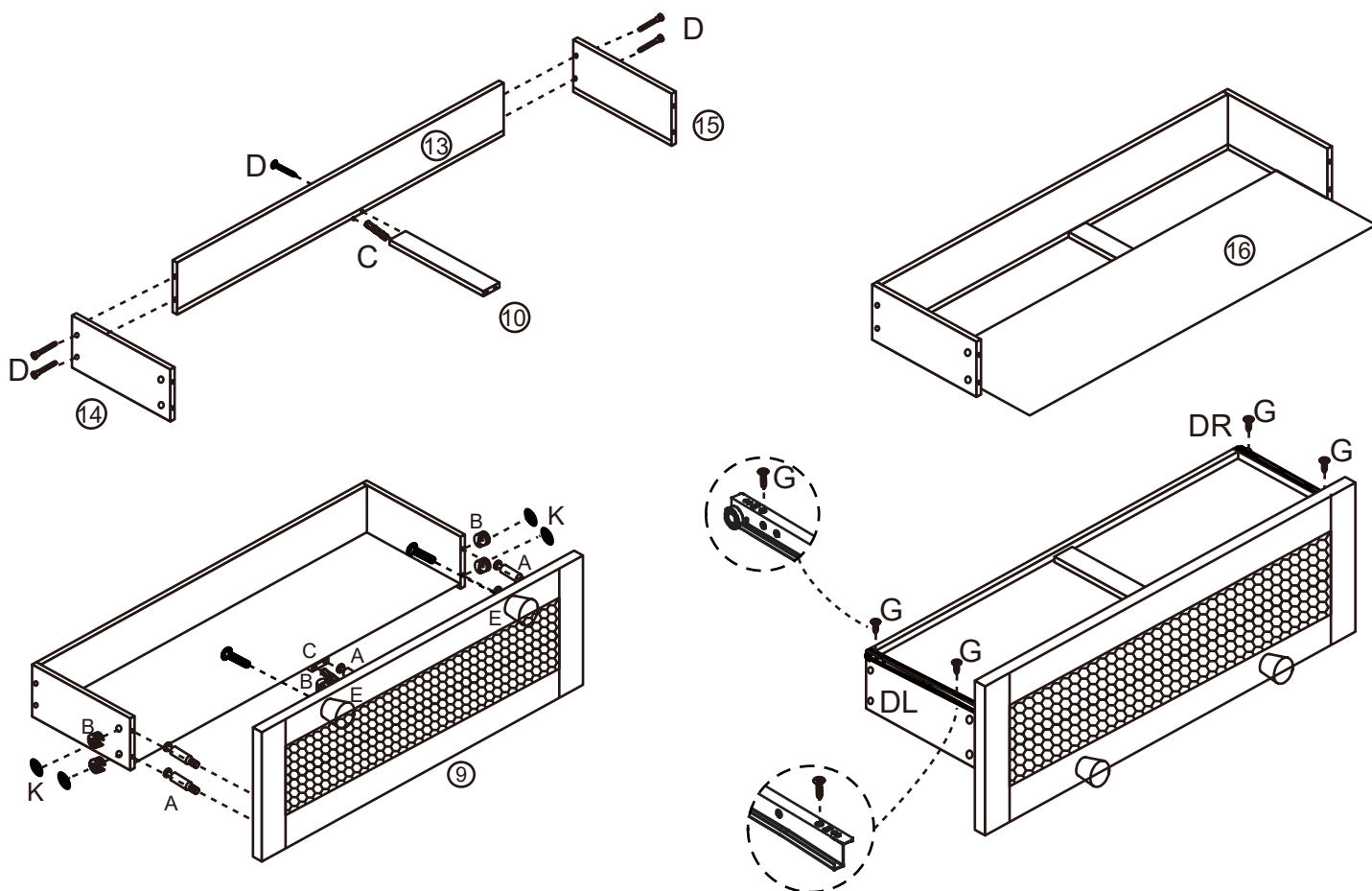
**** Note : To secure the item to the wall.**



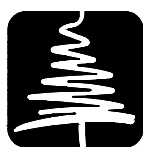
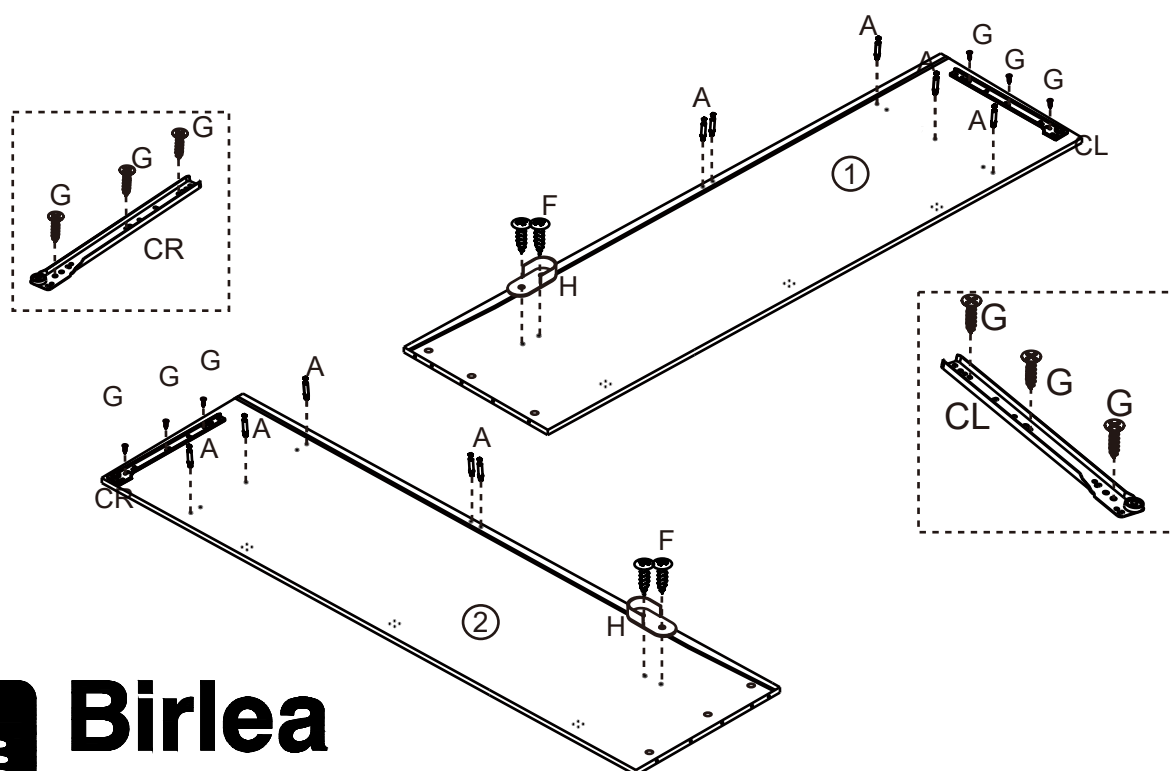
Birlea

Suppliers of inspiration

Step 1: Assemble drawer side panel(14),(15),drawer back(13)and drawer support rail(10) by hardwareC,D;
 Attach the drawer bottom panel 16;Then,assemble the drawer front panel by hardwareA,B,C,K;
 Then,attach the handle E.
 Assemble hardware (DR),(DL) by hardware G.
DO NOT use any power tools as this may damage the frame and will invalidate any claim.



Step 2:Assemble hardware(CL),(CR) on side panels(1),(2) by hardware G;Then,attach the hardware A on both panels;Then,assemble hardware H by hardware F.
DO NOT use any power tools as this may damage the frame and will invalidate any claim.



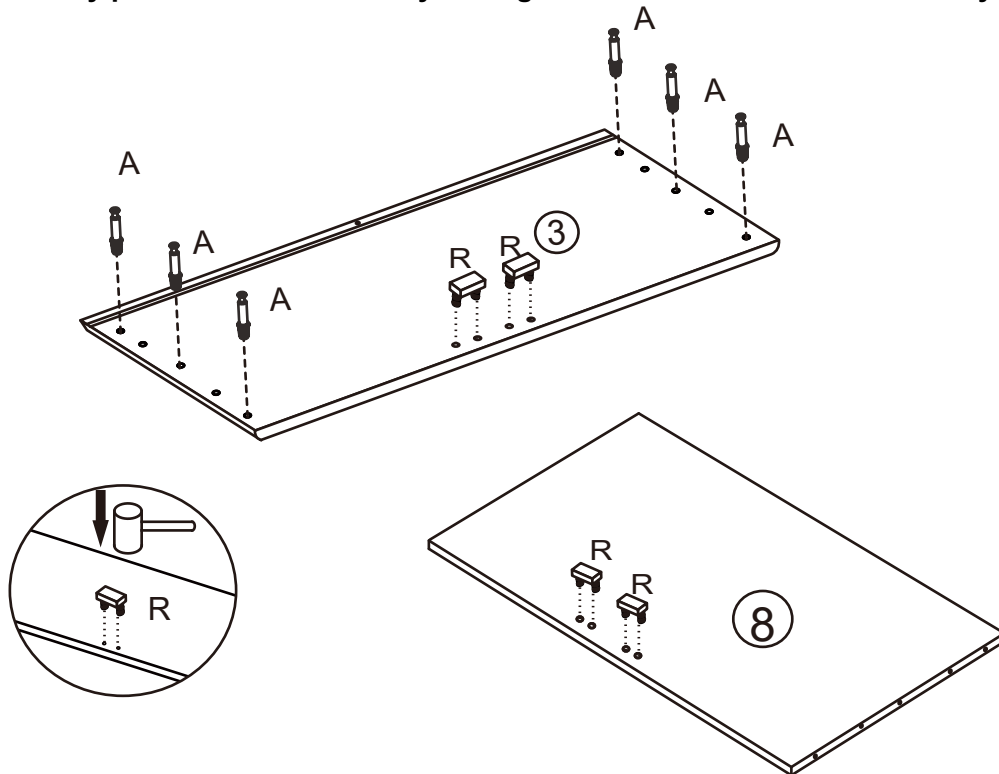
Birlea

Suppliers of inspiration

Step 3: Attach hardware A on top panel(3);

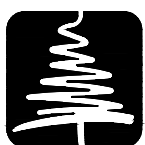
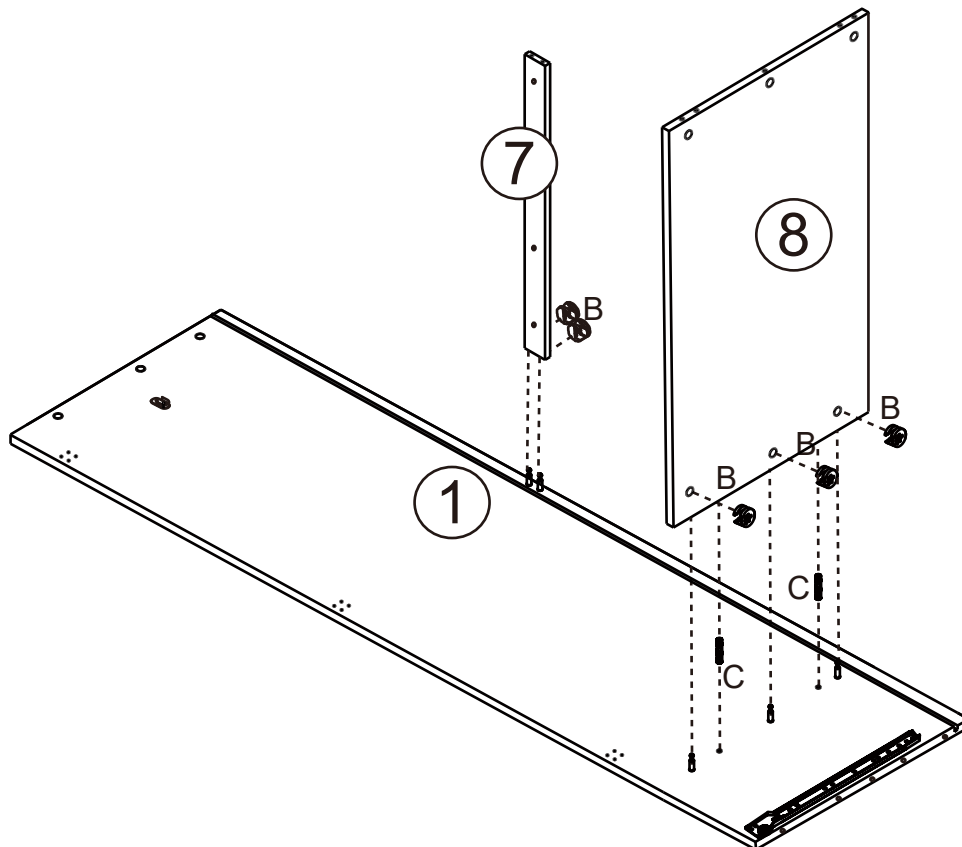
Then,attach the door stopper(R) on top panel(3) and middle divider(8).

DO NOT use any power tools as this may damage the frame and will invalidate any claim.



Step 4: Assemble the back rail(7),middle divider(8) with side panel(1) by hardware B,C;

DO NOT use any power tools as this may damage the frame and will invalidate any claim.

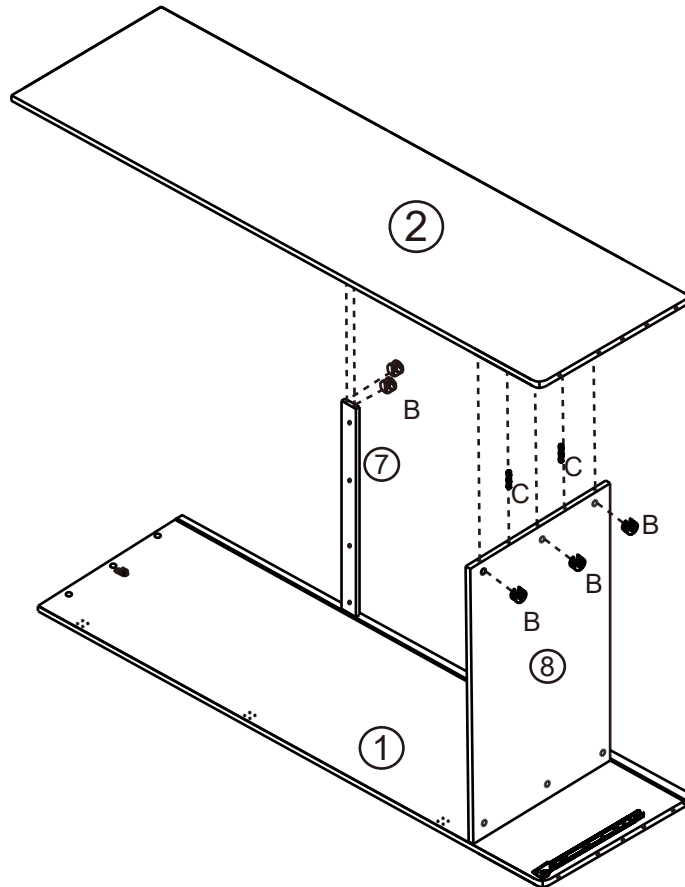


Birlea

Suppliers of inspiration

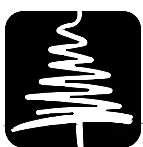
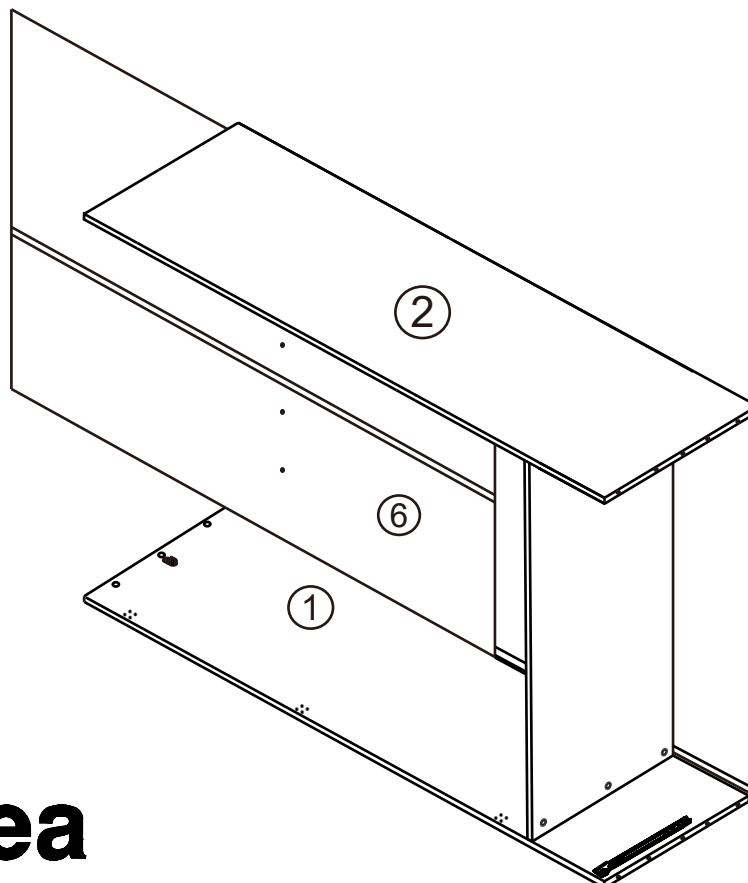
Step 5: Assemble the right side panel(2) by hardware B,C.

DO NOT use any power tools as this may damage the frame and will invalidate any claim.



Step 6: Attach the back panel(6).

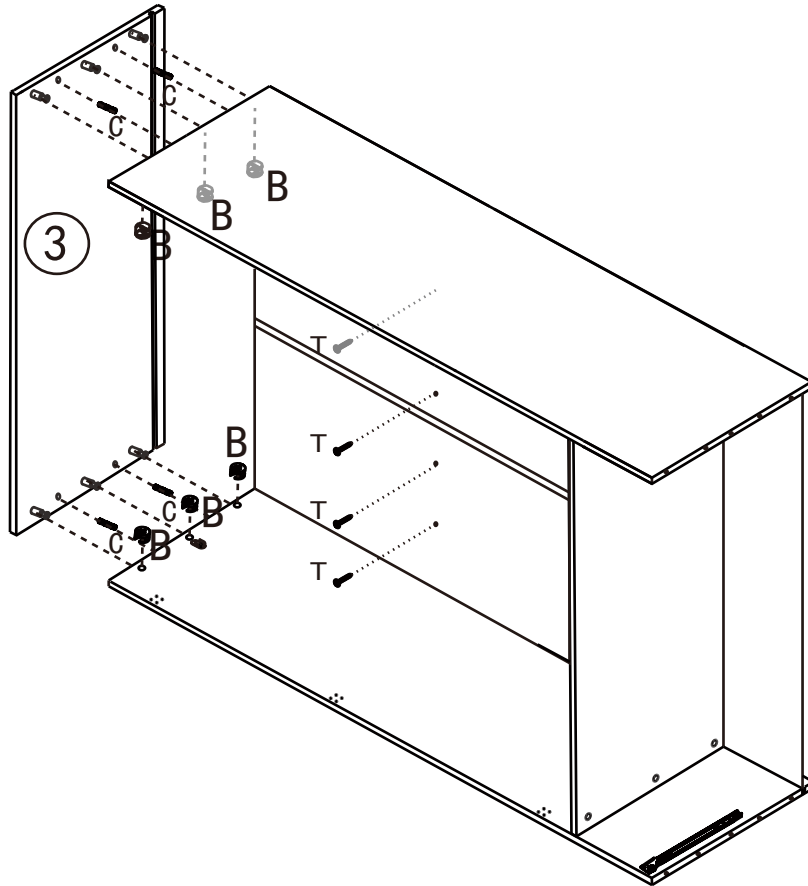
DO NOT use any power tools as this may damage the frame and will invalidate any claim.



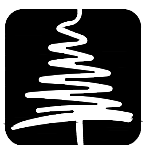
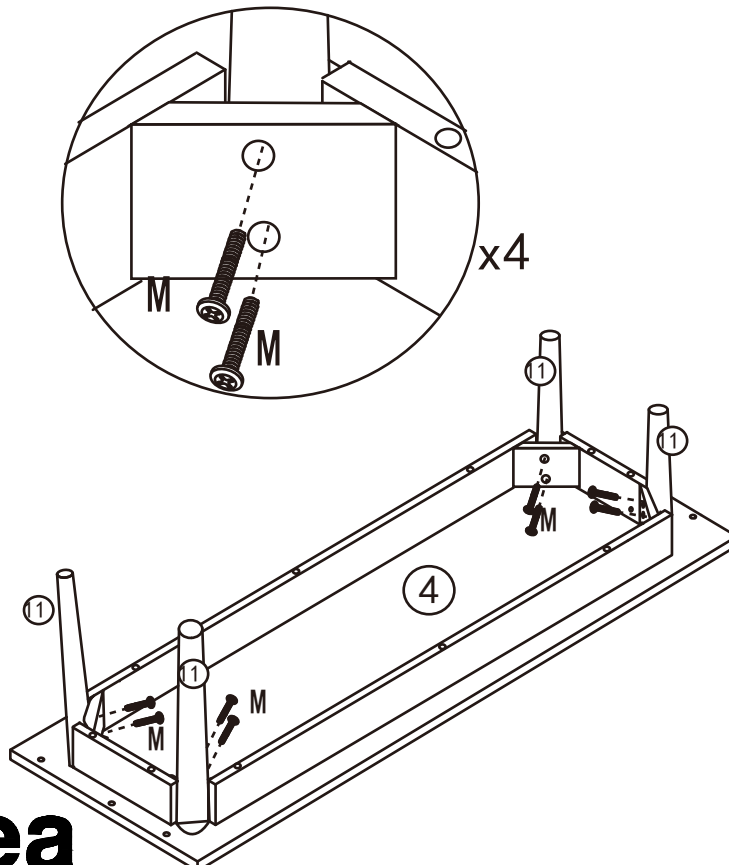
Birlea

Suppliers of inspiration

Step 7: Attach the top panel(3) with frame by hardware B,C;Then, connect the back panel&back rail by hardware T.
DO NOT use any power tools as this may damage the frame and will invalidate any claim.



Step 8 Assemble the leg(11) with base frame(4) by hardware M;
DO NOT use any power tools as this may damage the frame and will invalidate any claim.

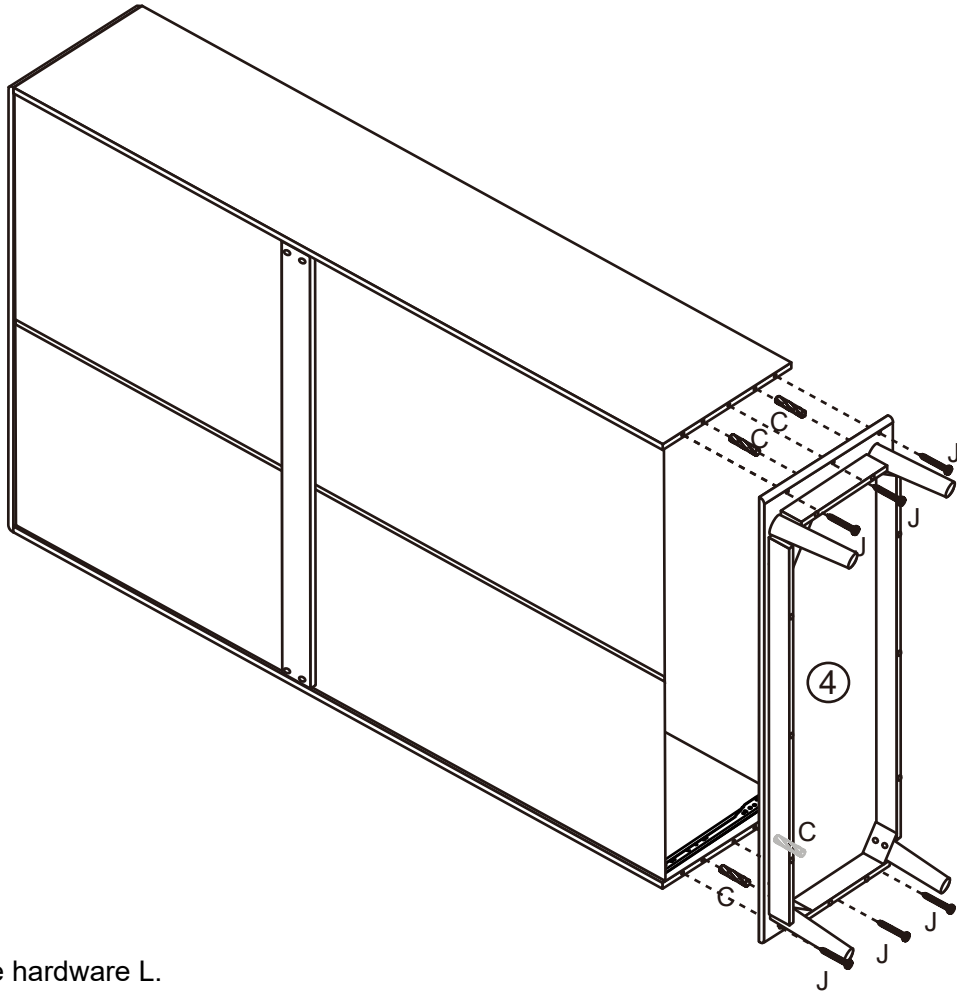


Birlea

Suppliers of inspiration

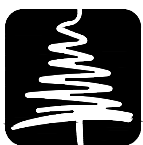
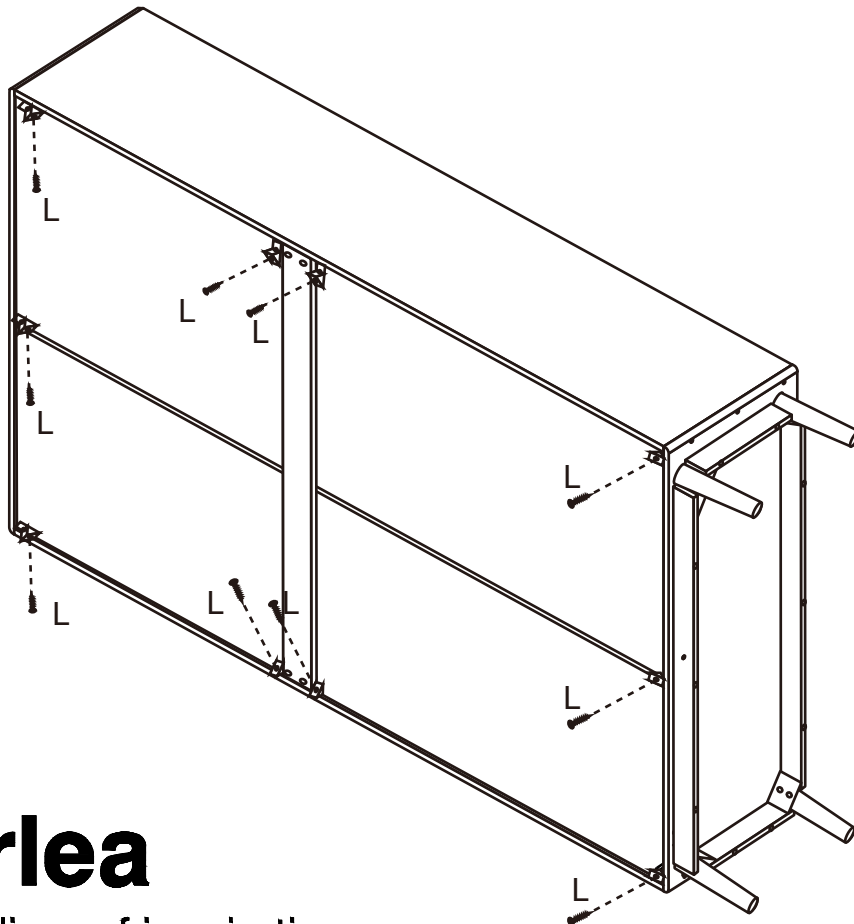
Step 9: Assemble the base with frame by hardware C,J.

DO NOT use any power tools as this may damage the frame and will invalidate any claim.



Step 10: Attach the hardware L.

DO NOT use any power tools as this may damage the frame and will invalidate any claim.

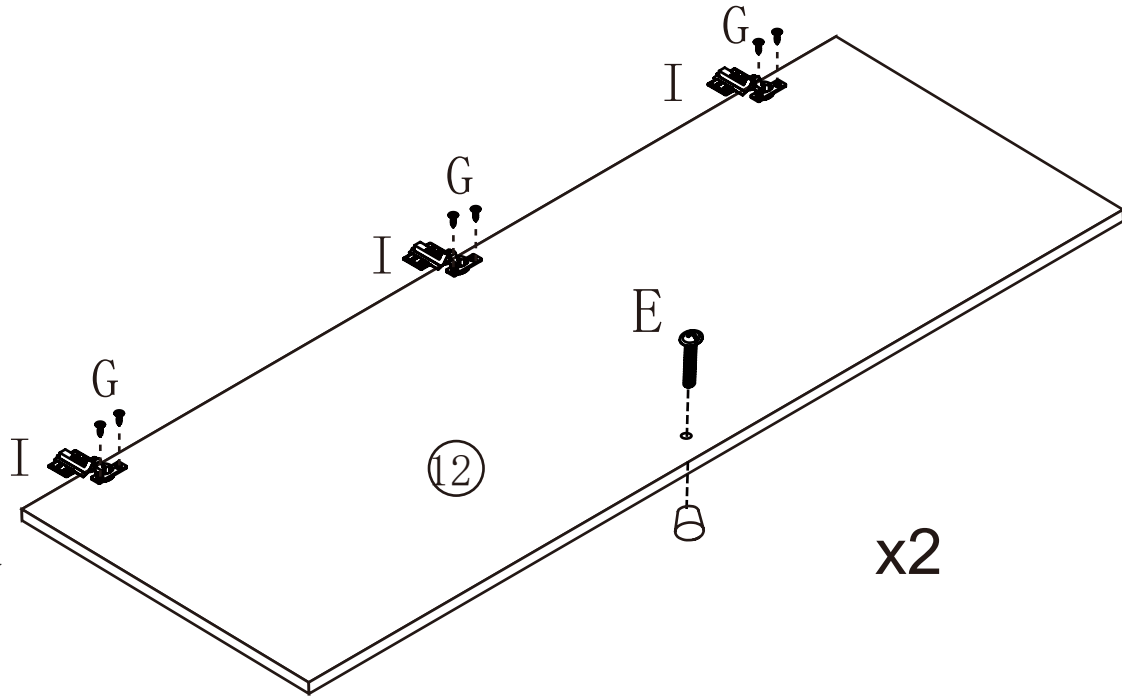


Birlea

Suppliers of inspiration

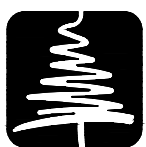
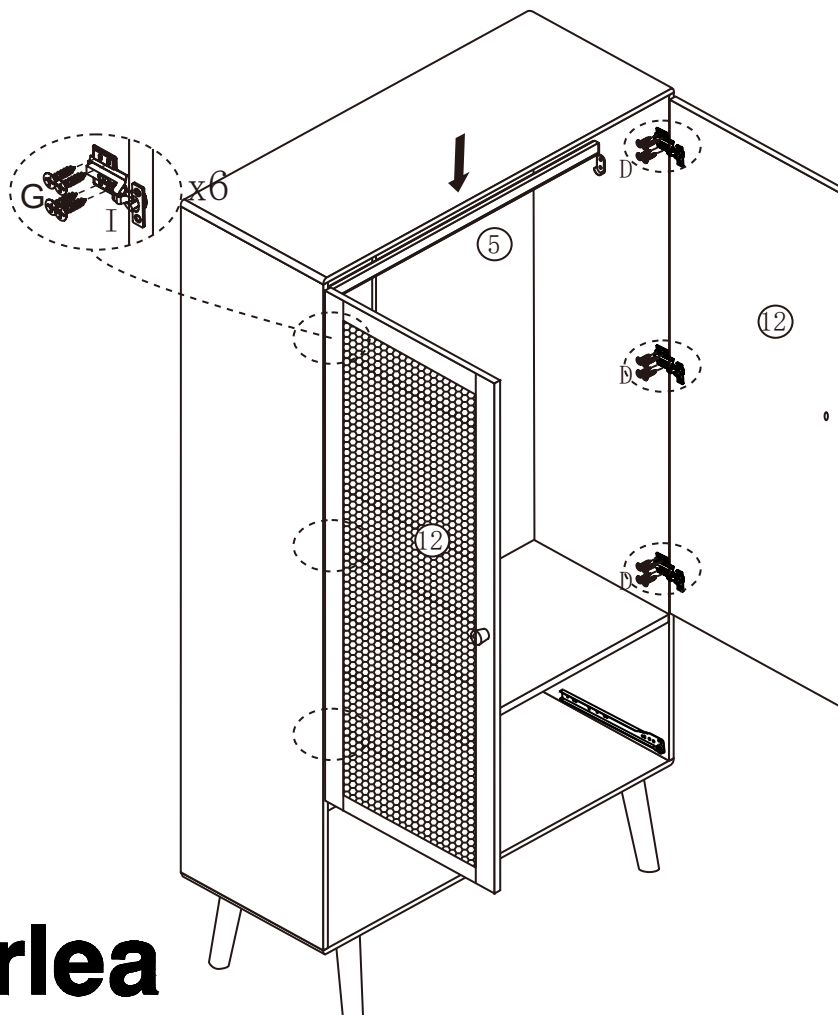
Step 11: Attach hardware I on door(12) by hardware D;
Then,attach the handle E.

DO NOT use any power tools as this may damage the frame and will invalidate any claim.



Step 12: Assemble the door(12) with side panels(1),(2) by hardware G;
Attach the hanging 5;

DO NOT use any power tools as this may damage the frame and will invalidate any claim.

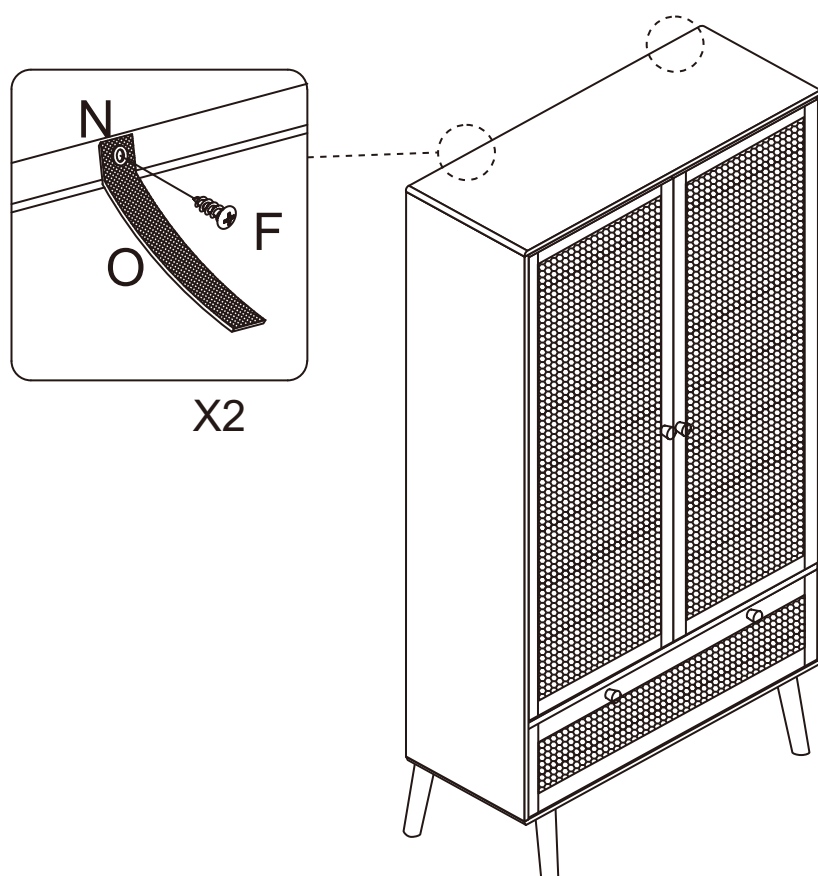


Birlea

Suppliers of inspiration

Step 13: Secure the safety strap(O) by hardware F,N.

DO NOT use any power tools as this may damage the frame and will invalidate any claim.



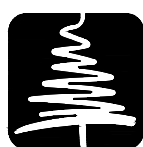
PLEASE NOTE that wall fixings are not supplied as different wall materials require different fixing devices. You must use fixings devices suitable for the type of wall you intend to mount product to. Ensure the head of any screw used has a diameter greater than the mounting hole and the fixing is safe and secure before use.

Birlea Furniture advise you use the wall straps provided to further enhance the safety of this product.

Additional Information:

- For complete product information, images and dimension diagrams please visit the website www.birlea.com
- If you have any issues with your item please contact the retailer directly you purchased it from who will be able to resolve any issues with Birlea.
- Why don't you send us photos of your assembled furniture to info@birlea.com to be shared in our #birleahome feature on instagram.

滚滚长江东逝水



Birlea

Suppliers of inspiration