



Birlea

Suppliers of inspiration

Assembly Instructions

Thank you for
purchasing a
Birlea product.

For a chance to win a *Love 2 Shop* voucher simply post a picture of your new product on your preferred social channels tagging Birlea Furniture and using the hashtag **#ShareYourStyle** and **#Birlea**. One winner will be selected at random each month.

To view our full terms and conditions please visit our website. www.birlea.com

Are you happy with your purchase?

Yes: That's great, we would love to hear more from you. Please leave us a review on our social media channels or Trustpilot. Your feedback will be greatly appreciated.

No: If for any reason there is something missing, indifferent or incorrect with your order, please contact the retailer you purchased the item from. We will work with the retailer to resolve your issue as quickly as possible.



www.birlea.com

ASSEMBLY INSTRUCTIONS **COMPTON NEST OF TABLES**

IMPORTANT : READ THESE INSTRUCTIONS CAREFULLY BEFORE ATTEMPTING TO ASSEMBLE OR USE YOUR COMPTON NEST OF TABLES.

PLEASE KEEP THESE INSTRUCTIONS FOR FUTURE REFERENCE.

ASSEMBLY:

Assembly should be carried out with this item laying flat, not standing upright.

Assemble on a soft, clean surface to prevent damages.

To erase the numbers printed on the pieces, use the rubber inside the accessories pack.

HEALTH & SAFETY:

DO NOT use this product if any parts are missing, damaged or worn.

DO NOT use this product unless all fixings are secured.

Always use on a level, even surface.

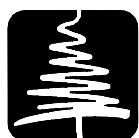
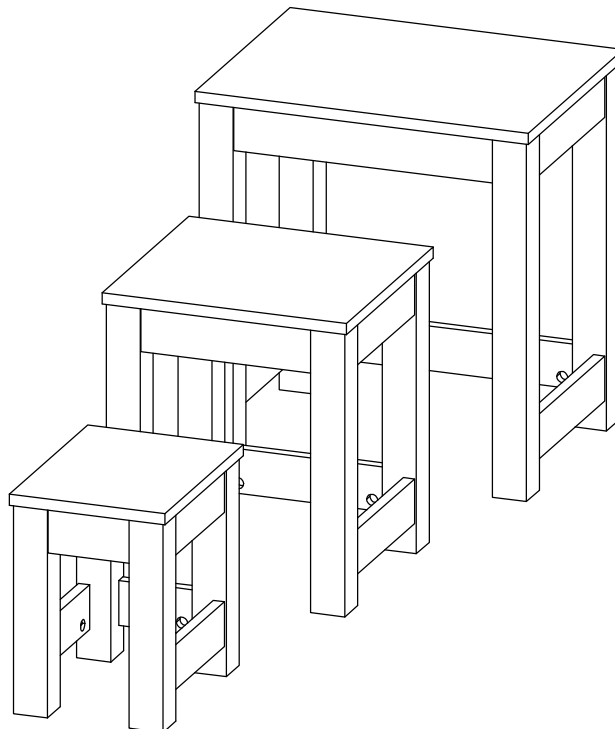
CARE & MAINTENANCE:

Periodically check all screws & fixings to ensure they are secure.

DO NOT push this product as this will cause damage.

Always lift this product with two people to repositions.

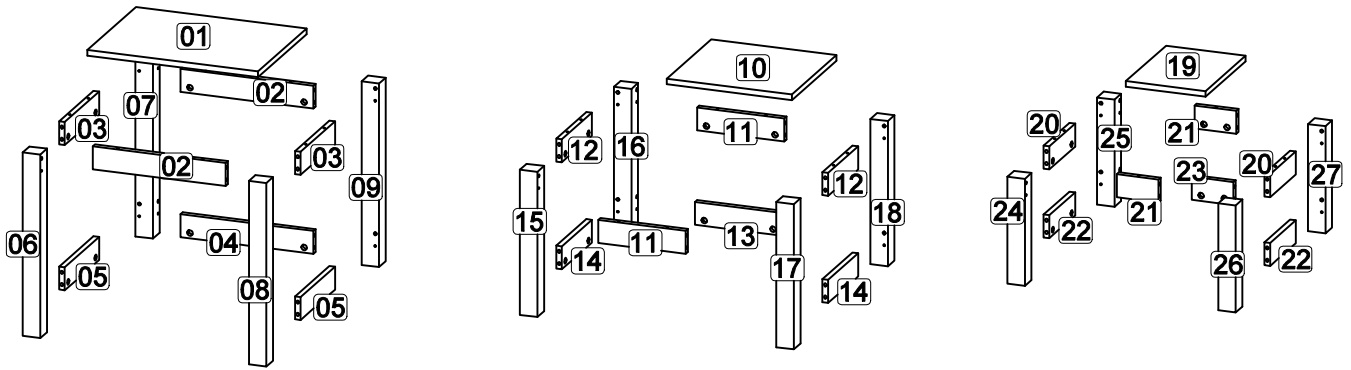
Keep any sharp objects away from this product.



Birlea







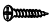
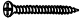

Suppliers of inspiration

www.birlea.com

**Parts List**

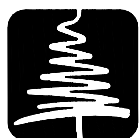
Part	Description	Box	Qty
01	Top panel - T1	1	1
02	Long apron-T1	1	2
03	Short apron-T1	1	2
04	Long support-T1	1	1
05	Short support-T1	1	2
06	Leg panel FL-T1	1	1
07	Leg panel BL-T1	1	1
08	Leg panel FR-T1	1	1
09	Leg panel BR-T1	1	1
10	Top panel - T2	1	1
11	Long apron-T2	1	2
12	Short apron-T2	1	2
13	Long support-T2	1	1
14	Short support-T2	1	2
15	Leg panel FL-T2	1	1
16	Leg panel BL-T2	1	1
17	Leg panel FR-T2	1	1
18	Leg panel BR-T2	1	1
19	Top panel - T3	1	1
20	Long apron-T3	1	2
21	Short apron-T3	1	2
22	Long support-T3	1	2
23	Short support-T3	1	1
24	Leg panel FL-T3	1	1
25	Leg panel BL-T3	1	1
26	Leg panel FR-T3	1	1
27	Leg panel BR-T3	1	1

Hardware List (BOX 1)

Part	Description		Qty
A1	Cam lock		42
A2	Minifix screw		42
A3	Plastic cap		42
B	M8 x 30mm Wood Dowel		42
C	5/8 pvc nail leg		12
D	Allen key M4		1
E	M3.5 x 16mm C.B Screw		8
F	M4 x 45mm C.B Screw		22
G	One hole L bracket (2mm)		4

**** You will need a small mallet and a screwdriver for assembly.**

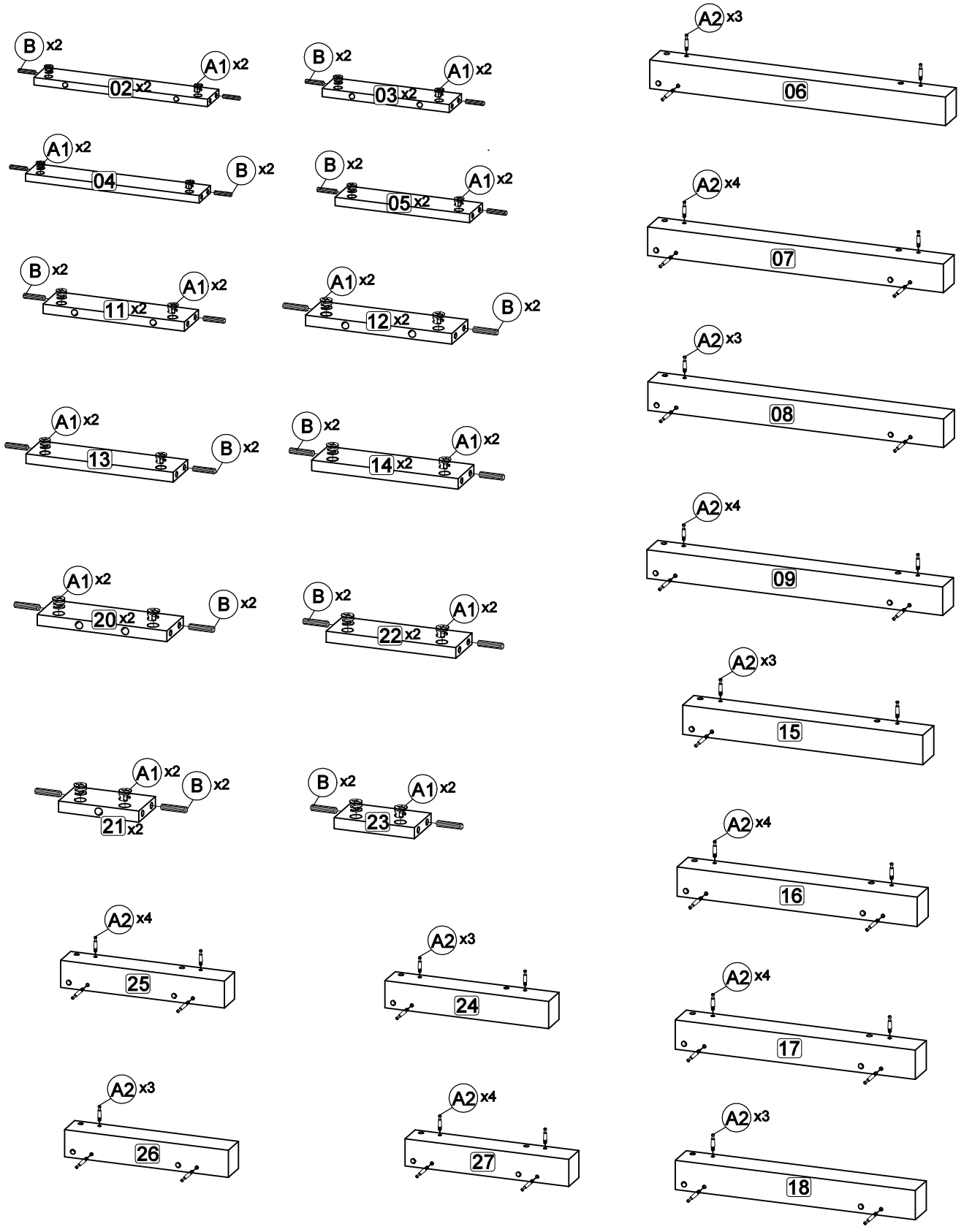
**** Some screws and wooden dowel may remain.**



Birlea

Suppliers of inspiration

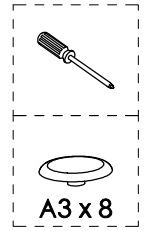
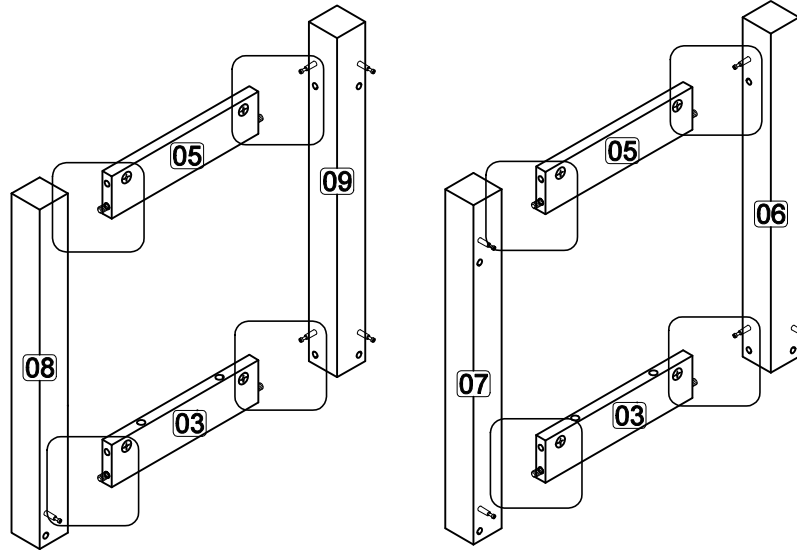
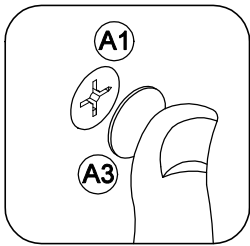
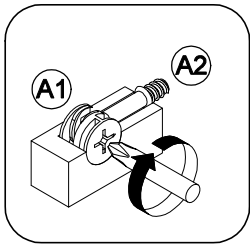
Step 1: Prepare these parts for assembly using hardware parts A1, A2 and B
DO NOT use any power tools as this may damage the frame and will invalidate any claim.



Step 2: TABLE BIG

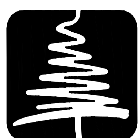
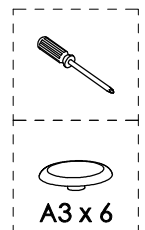
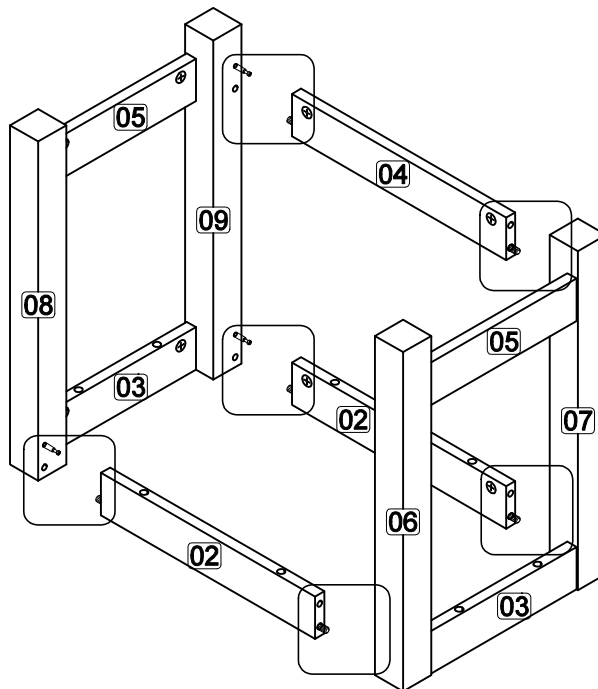
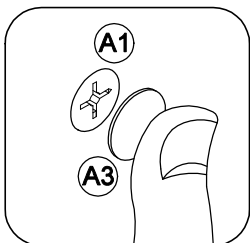
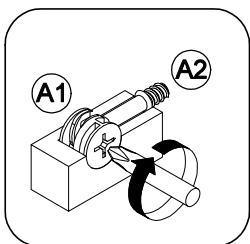
Attach leg panel (6), (7), (8) and (9) to short apron (3) and short support (5) with a screwdriver (not provided). Then apply plastic cap (A3) onto cam lock (A1) by hand.

DO NOT use any power tools as this may damage the frame and will invalidate any claim.



Step 3: Attach leg panel (6), (7), (8) and (9) to long apron (2) and long support (4) with a screwdriver (not provided). Then apply plastic cap (A3) onto cam lock (A1) by hand.

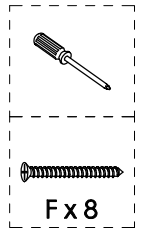
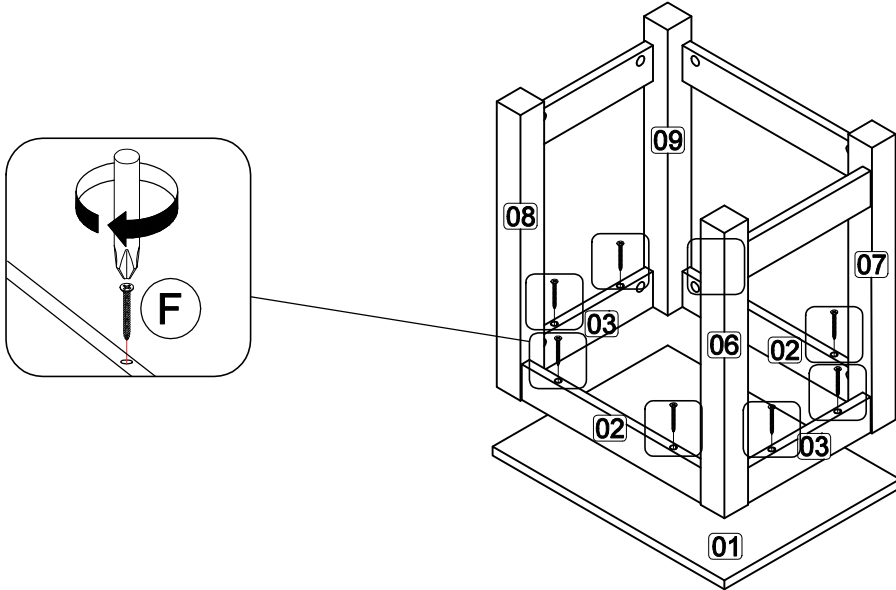
DO NOT use any power tools as this may damage the frame and will invalidate any claim.



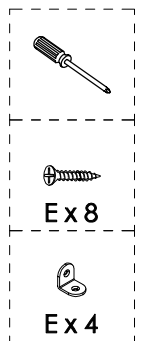
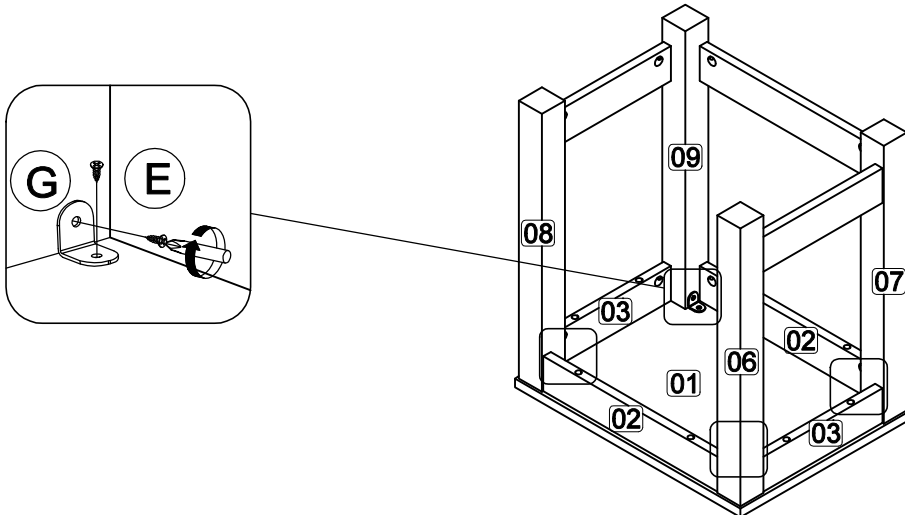
Birlea

Suppliers of inspiration

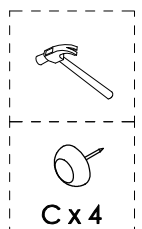
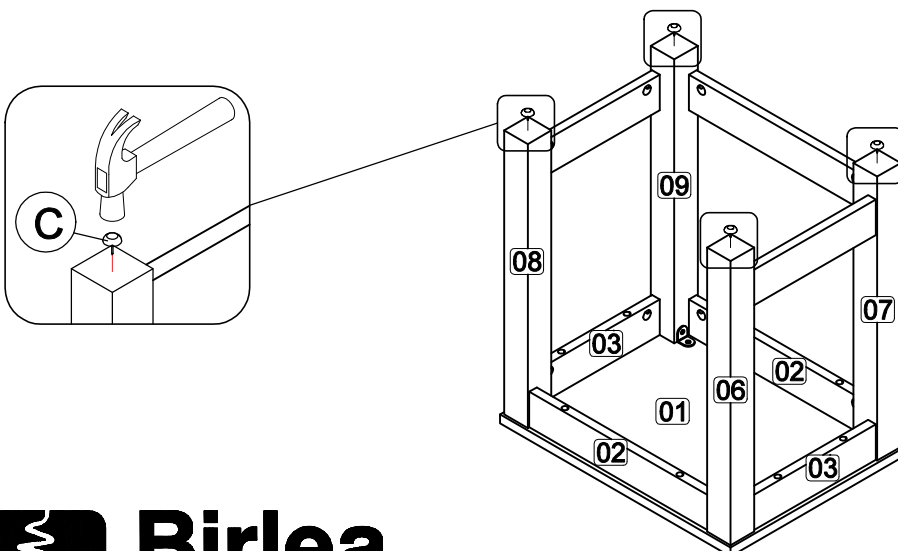
Step 4: Attach top panel (1) to long apron (2) and short apron (3) with a screwdriver and hardware F.
DO NOT use any power tools as this may damage the frame and will invalidate any claim.



Step 5: Assemble hardware G to the top panel (1) and leg panel (6), (7), (8) and (9) with hardware E and a screwdriver (not provided).
DO NOT use any power tools as this may damage the frame and will invalidate any claim.



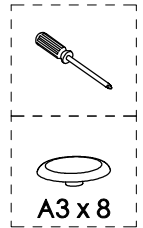
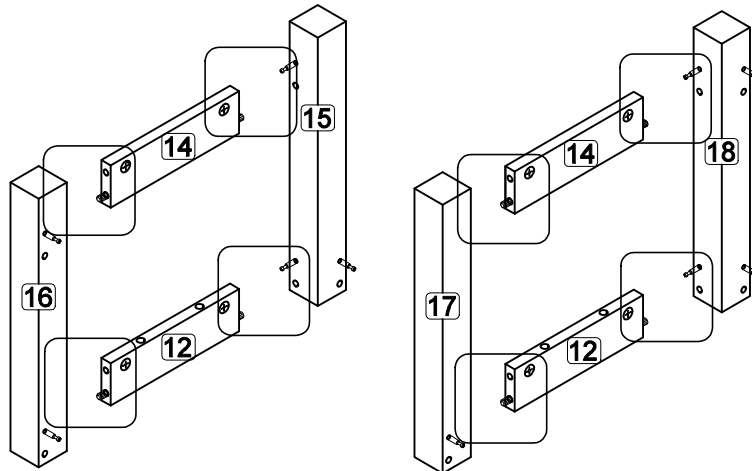
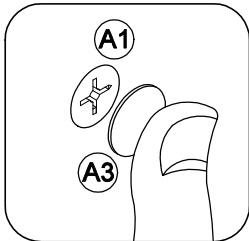
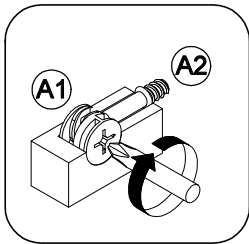
Step 6: Hit hardware C onto leg panel 6,7,8 and 9 with a hammer(not provided).
DO NOT use any power tools as this may damage the frame and will invalidate any claim.



Step 7: TABLE MEDIUM

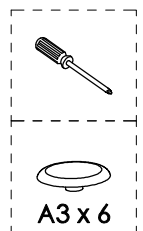
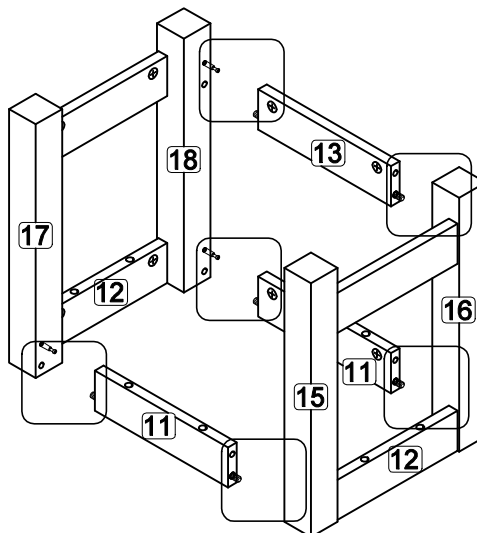
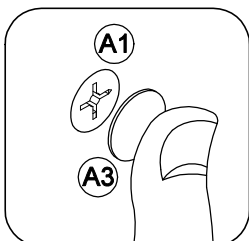
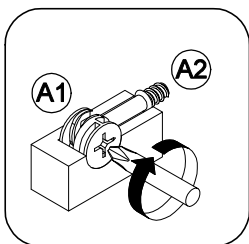
Attach leg panel (15), (16), (17) and (18) to short apron (12) and short support (14) with a screwdriver (not provided). Then apply plastic cap (A3) onto cam lock (A1) by hand.

DO NOT use any power tools as this may damage the frame and will invalidate any claim.



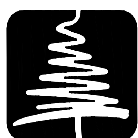
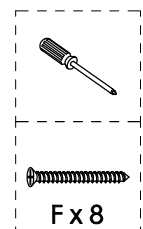
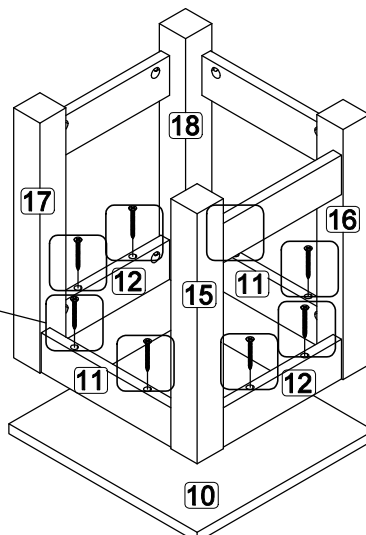
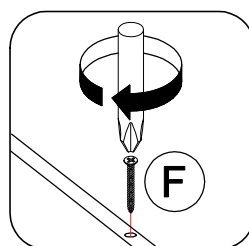
Step 8: Attach leg panel (15), (16), (17) and (18) to long apron (11) and long support (13) with a screwdriver (not provided). Then apply plastic cap (A3) onto cam lock (A1) by hand.

DO NOT use any power tools as this may damage the frame and will invalidate any claim.



Step 9: Attach top panel (10) to long apron (11) and short apron (12) with a screwdriver and hardware F.

DO NOT use any power tools as this may damage the frame and will invalidate any claim.

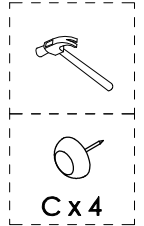
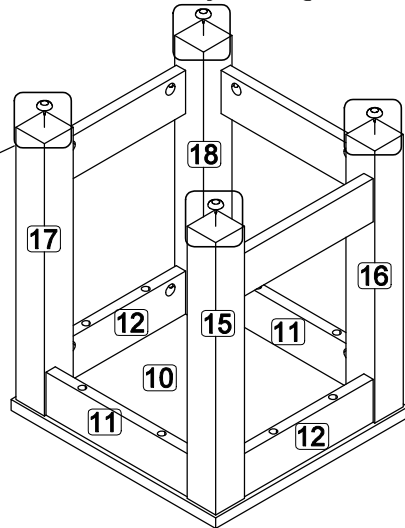
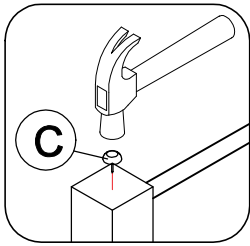


Birlea

Suppliers of inspiration

Step 10: Hit hardware C onto leg panel 15,16,17 and 18 with a hammer(not provided).

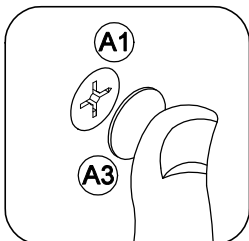
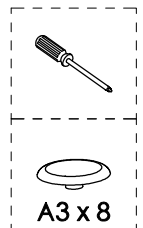
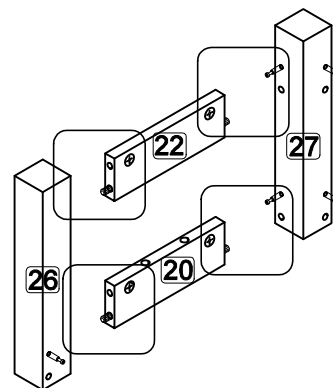
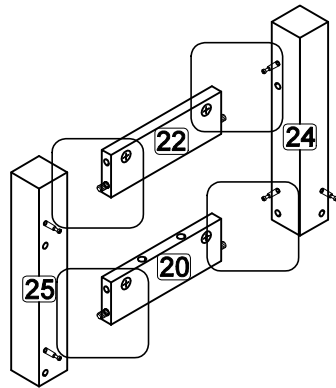
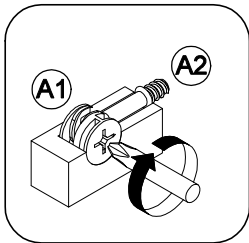
DO NOT use any power tools as this may damage the frame and will invalidate any claim.



Step 11: TABLE SMALL

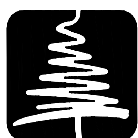
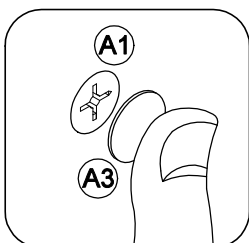
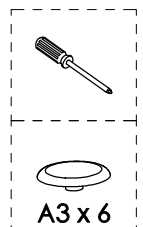
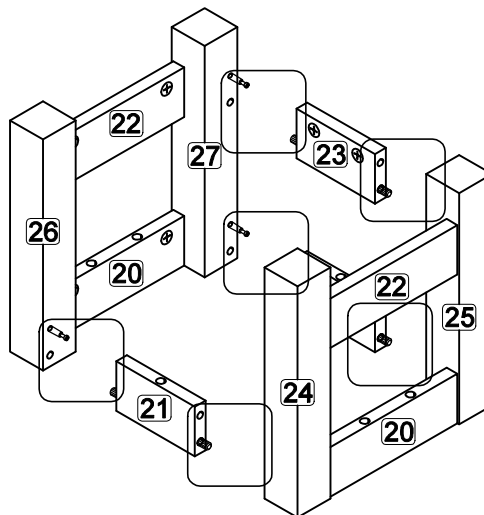
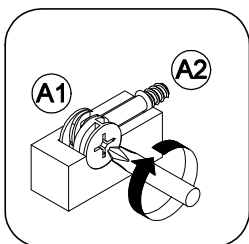
Attach leg panel (24), (25), (26) and (27) to long apron (20) and long support (22) with a screwdriver (not provided). Then apply plastic cap (A3) onto cam lock (A1) by hand.

DO NOT use any power tools as this may damage the frame and will invalidate any claim.



Step 12: Attach leg panel (24), (25), (26) and (27) to short apron (21) and short support (23) with a screwdriver (not provided). Then apply plastic cap (A3) onto cam lock (A1) by hand.

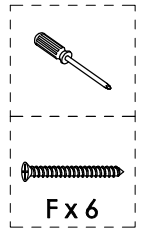
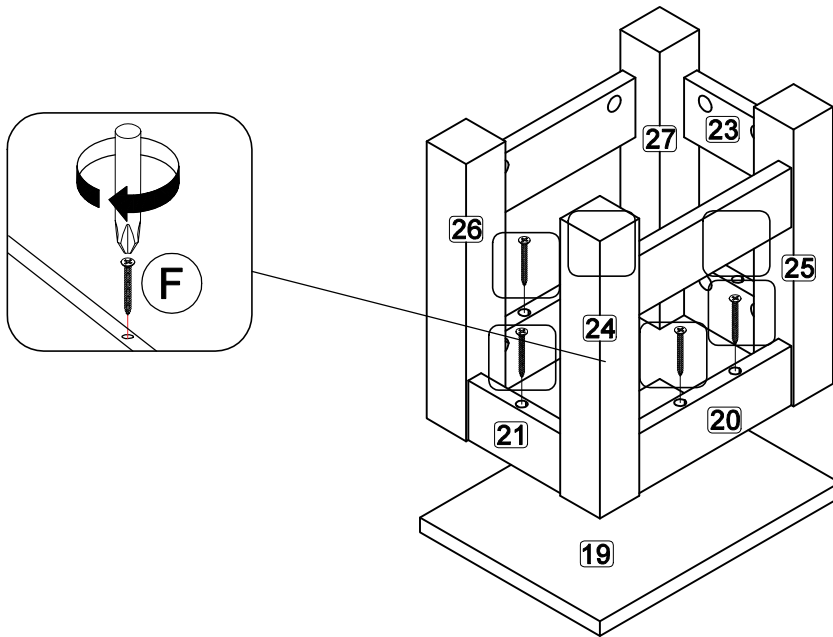
DO NOT use any power tools as this may damage the frame and will invalidate any claim.



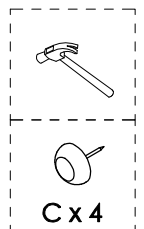
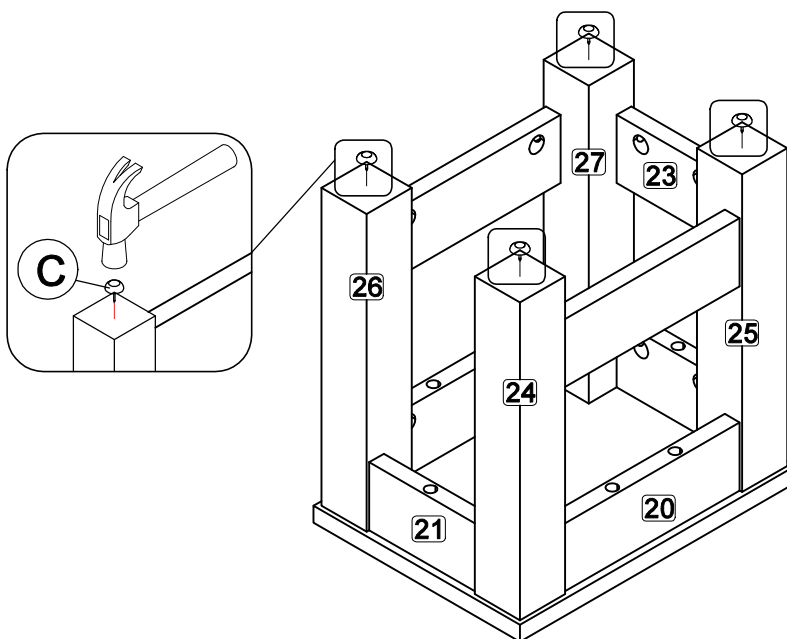
Birlea

Suppliers of inspiration

Step 9: Attach top panel (19) to long apron (20) and short apron (21) with a screwdriver and hardware F.
DO NOT use any power tools as this may damage the frame and will invalidate any claim.



Step 10: Hit hardware C onto leg panel 24, 25, 26 and 27 with a hammer(not provided).
DO NOT use any power tools as this may damage the frame and will invalidate any claim.



Additional Information:

- For complete product information, images and dimension diagrams please visit the website www.birlea.com
- If you have any issues with your item please contact the retailer directly you purchased it from who will be able to resolve any issues with Birlea.
- Why don't you send us photos of your assembled furniture to info@birlea.com to be shared in our #birleahome feature on instagram.