

Birlea

Suppliers of inspiration

Assembly Instructions

*Thank you for
purchasing a
Birlea product.*

For a chance to win a *Love 2 Shop* voucher simply post a picture of your new product on your preferred social channels tagging Birlea Furniture and using the hashtag **#ShareYourStyle** and **#Birlea**. One winner will be selected at random each month.

To view our full terms and conditions please visit our website. www.birlea.com

Are you happy with your purchase?

Yes: That's great, we would love to hear more from you. Please leave us a review on our social media channels or Trustpilot. Your feedback will be greatly appreciated.

No: If for any reason there is something missing, indifferent or incorrect with your order, please contact the retailer you purchased the item from. We will work with the retailer to resolve your issue as quickly as possible.



www.birlea.com

ASSEMBLY INSTRUCTIONS **COMPTON COFFEE TABLE**

IMPORTANT : READ THESE INSTRUCTIONS CAREFULLY BEFORE ATTEMPTING TO ASSEMBLE OR USE YOUR COMPTON COFFEE TABLE.

PLEASE KEEP THESE INSTRUCTIONS FOR FUTURE REFERENCE.

ASSEMBLY:

Assembly should be carried out with this item laying flat, not standing upright.

Assemble on a soft, clean surface to prevent damages.

To erase the numbers printed on the pieces, use the rubber inside the accessories pack.

HEALTH & SAFETY:

DO NOT use this product if any parts are missing, damaged or worn.

DO NOT use this product unless all fixings are secured.

Always use on a level, even surface.

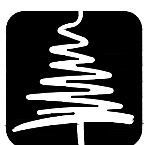
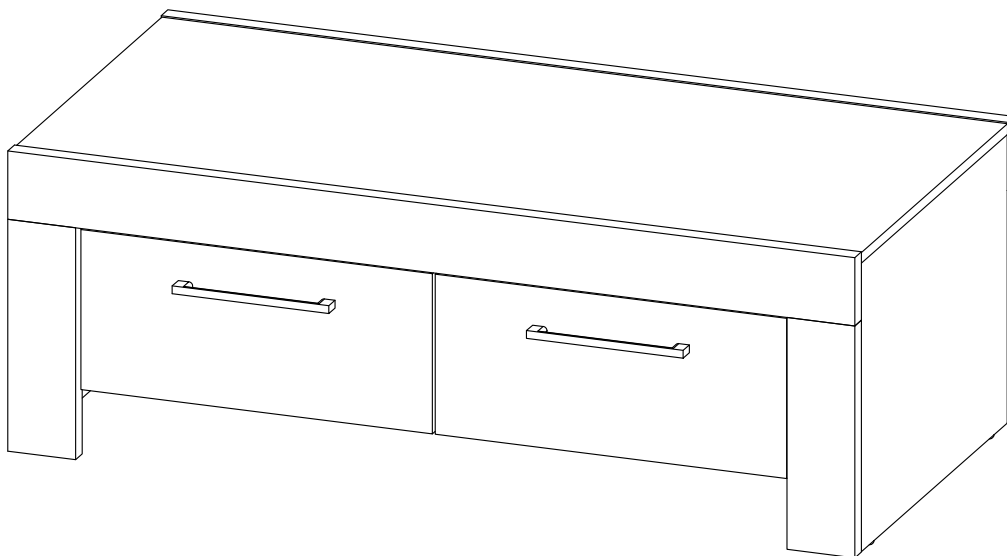
CARE & MAINTENANCE:

Periodically check all screws & fixings to ensure they are secure.

DO NOT push this product as this will cause damage.

Always lift this product with two people to repositions.

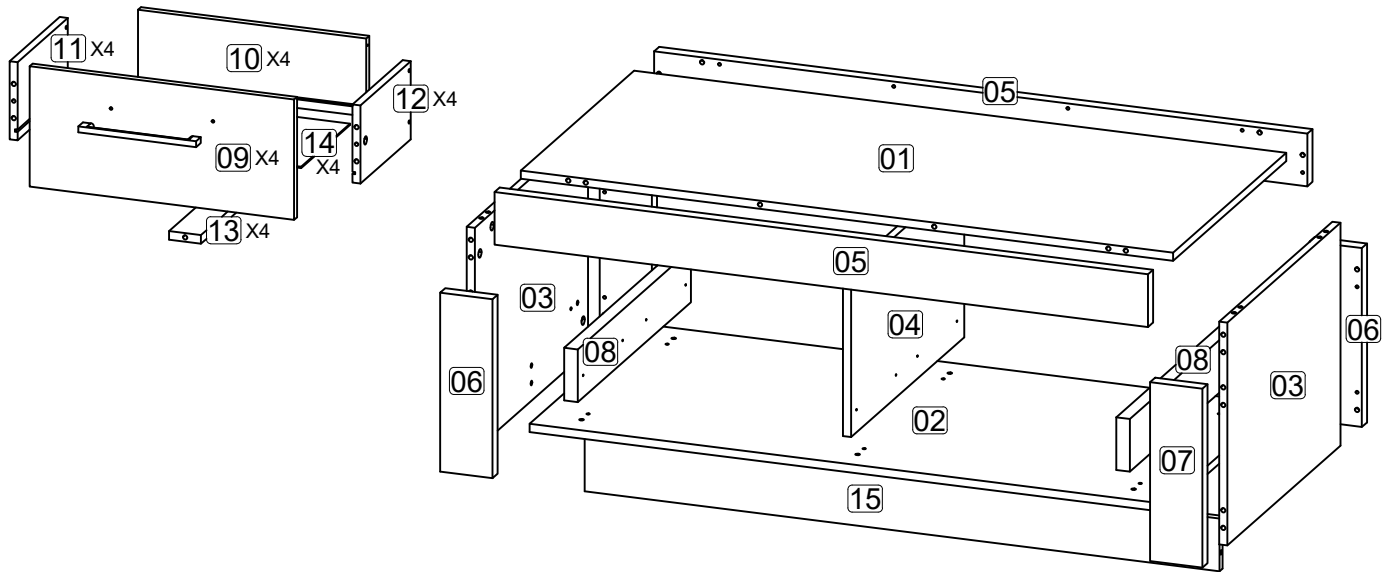
Keep any sharp objects away from this product.



Birlea








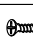
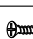
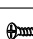




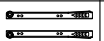
Suppliers of inspiration

www.birlea.com

**Parts List**

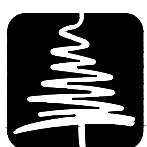
Part	Description	Box	Qty
01	Top panel	1	1
02	Bottom panel	1	1
03	Side panel	1	2
04	Center panel	1	1
05	Top bone	1	2
06	Side bone (Left)	1	2
07	Side bone (Right)	1	2
08	Side plate	1	2
09	Drawer front	1	4
10	Drawer back	1	4
11	Drawer side (Left)	1	4
12	Drawer side (Right)	1	4
13	Drawer bone	1	4
14	Drawer bottom	1	4
15	Leg panel	1	1

Hardware List (BOX 1)

Part	Description	Qty
A1	Cam lock 	46
A2	Minifix screw 	46
A3	Plastic cap 	46
B	M8 x 30mm Wood Dowel 	55
C	M6 x 50mm CSK Cap Wood screw 	2
D	Allen key M4 	1
E	M3.5 x 16mm C.B Screw 	56
F	M4 x 32mm C.B Screw 	8
G	M4 x 38mm C.B Screw 	20
H	M4 x 65mm C.B Screw 	4
I	5/8 PVC Nail Leg 	7
J	S125 - Double Hole Fitting 	4
K	PVC Handle 525-192 	4
L1	10" Drawer slide (Left / Right) 	8
L2	10" Drawer slide (Left / Right) 	8

** You will need a small mallet and a screwdriver for assembly.

** Some screws and wooden dowel may remain.

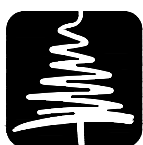
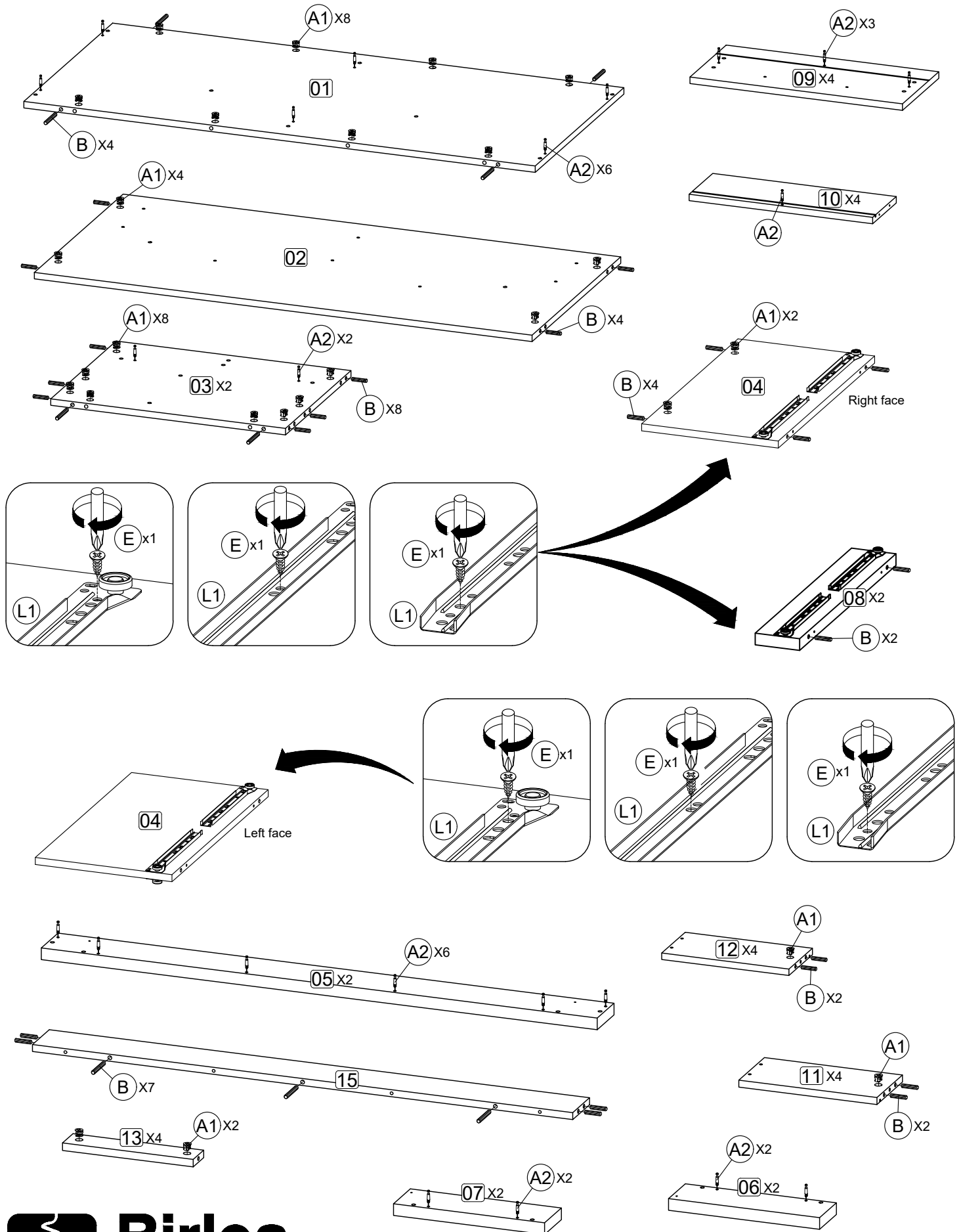


Birlea

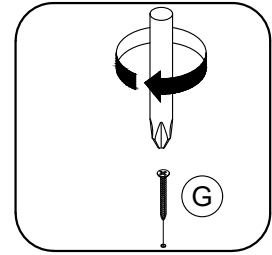
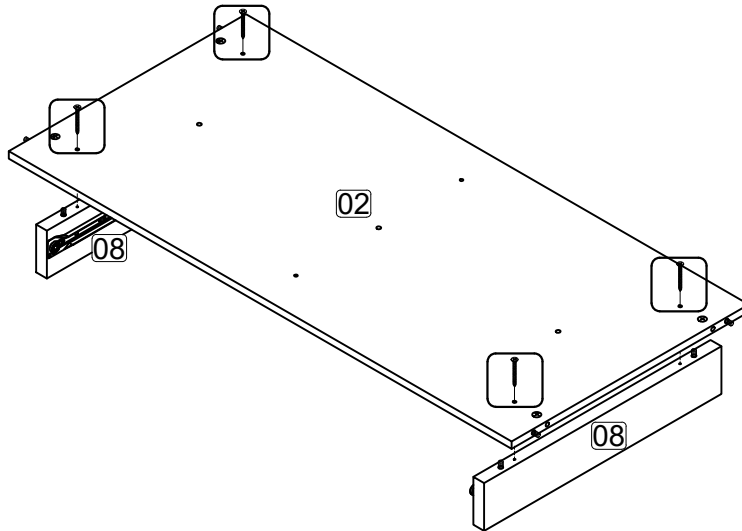
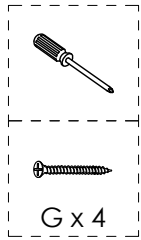
Suppliers of inspiration

Step 1: Prepare these parts for assembly using hardware parts A1, A2, B, E and L1.

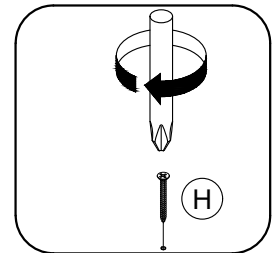
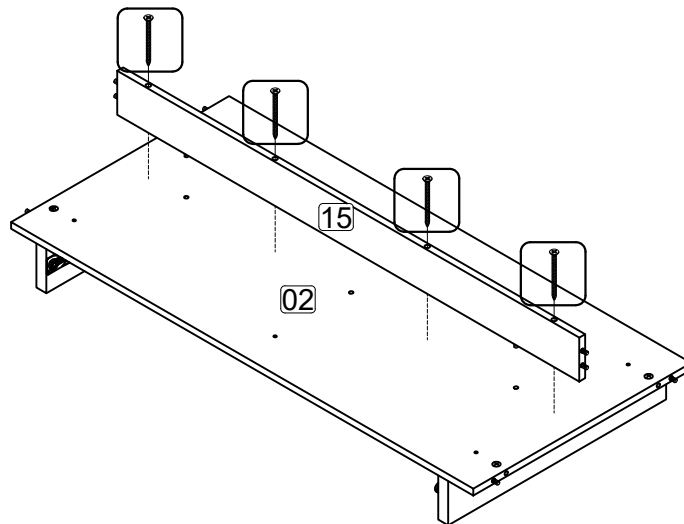
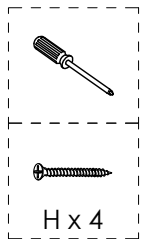
DO NOT use any power tools as this may damage the frame and will invalidate any claim.



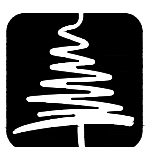
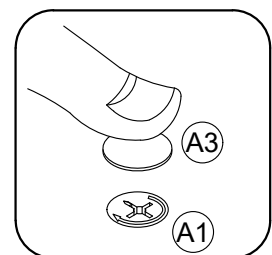
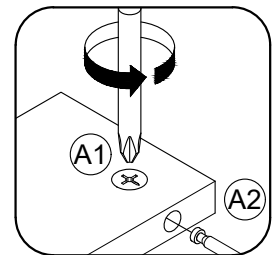
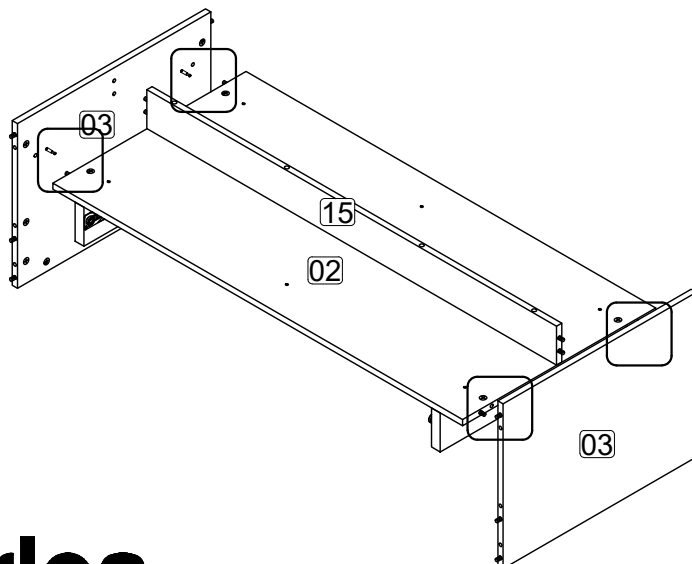
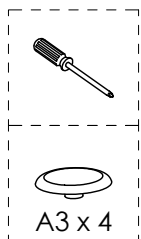
Step 2: Attach side plate (8) to bottom panel (2) using hardware G with a screwdriver (not provided).
DO NOT use any power tools as this may damage the frame and will invalidate any claim.



Step 3: Attach leg panel (15) to bottom panel (2) using hardware H with a screwdriver (not provided).
DO NOT use any power tools as this may damage the frame and will invalidate any claim.

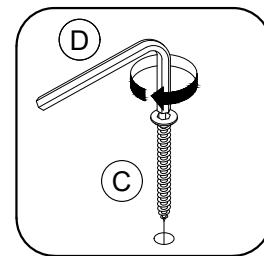
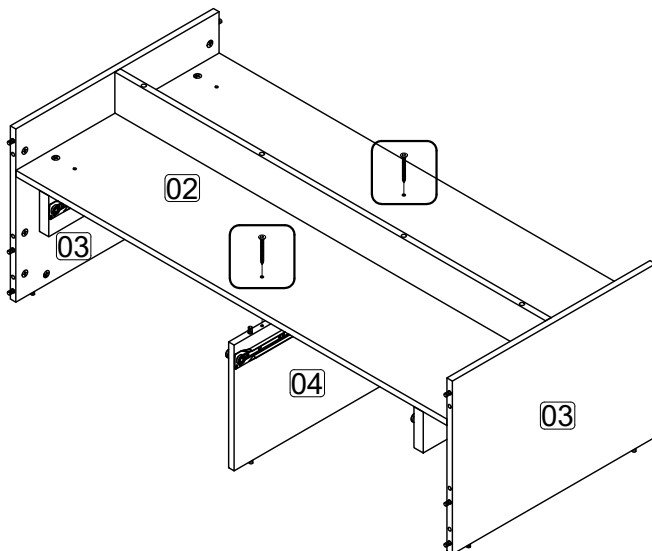
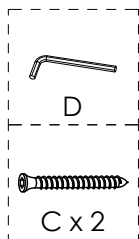


Step 4: Attach side panel (3) to bottom panel (2) and leg panel (15) using hardware A1 and A2 with a screwdriver (not provided).
DO NOT use any power tools as this may damage the frame and will invalidate any claim.



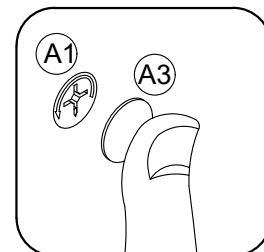
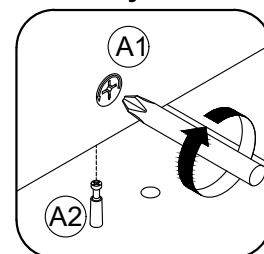
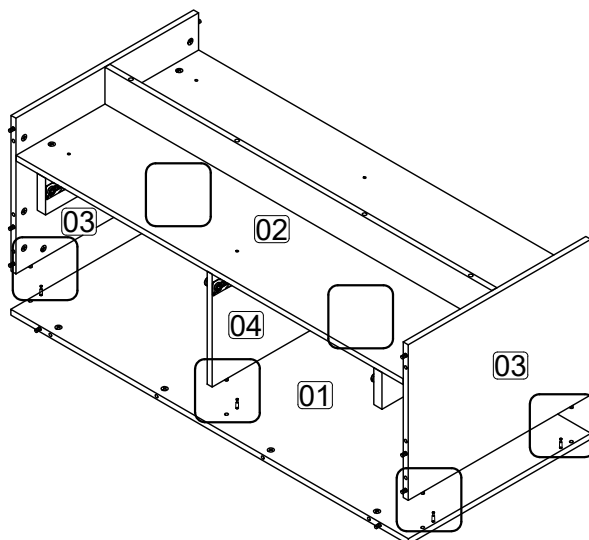
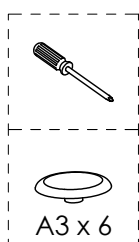
Step 5: Attach bottom panel (2) to center panel (4) using hardware C and D.

DO NOT use any power tools as this may damage the frame and will invalidate any claim.



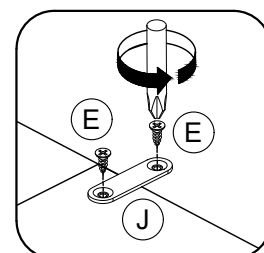
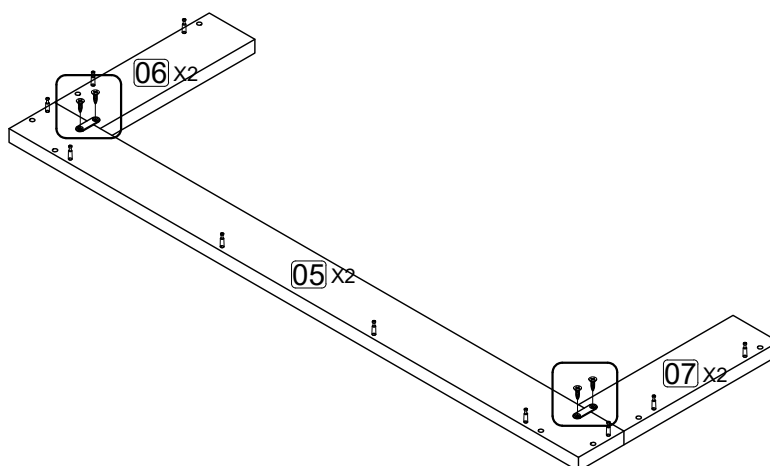
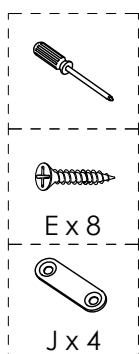
Step 6: Attach both side panel (3) and center panel (4) to top panel (1) using hardware A1 and A2 with a screwdriver (not provided).

DO NOT use any power tools as this may damage the frame and will invalidate any claim.



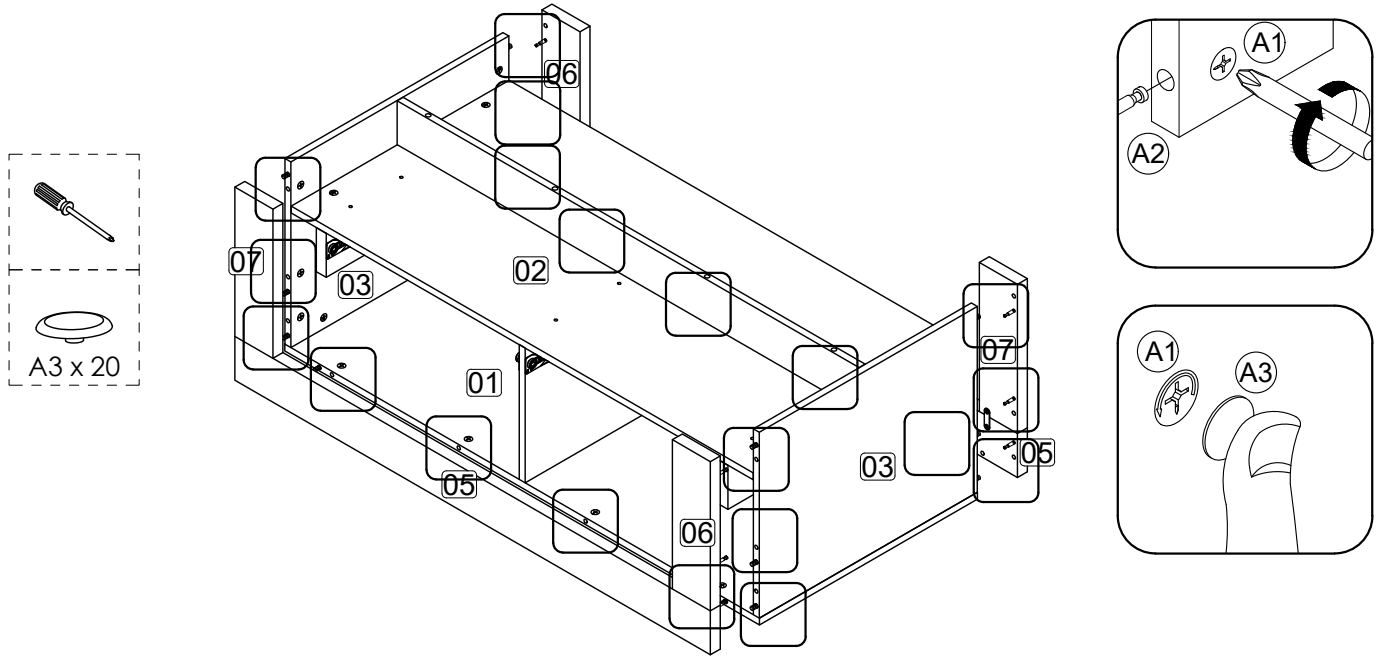
Step 7: Fix hardware J into top bone (5), side bone (6) and (7) with hardware E and a screwdriver (not provided).

DO NOT use any power tools as this may damage the frame and will invalidate any claim.



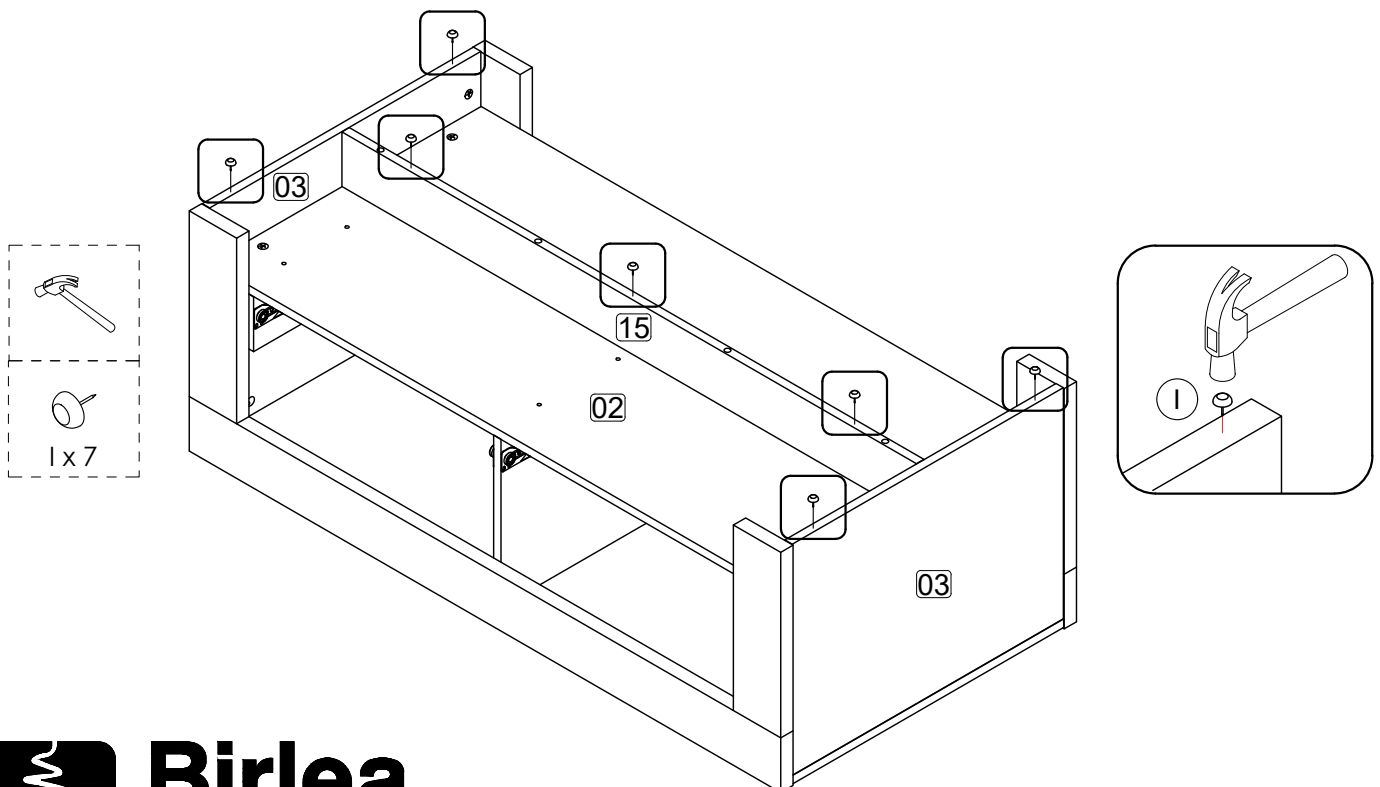
Step 8: Attach top bone (5), side bone (6) and (7) to top panel (1) and side panel (3) using hardware A1 and A2 with a screwdriver (not provided).

DO NOT use any power tools as this may damage the frame and will invalidate any claim.



Step 9: Hit hardware I into bottom of side panel (3) and leg panel (15).

DO NOT use any power tools as this may damage the frame and will invalidate any claim.



Birlea

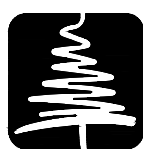
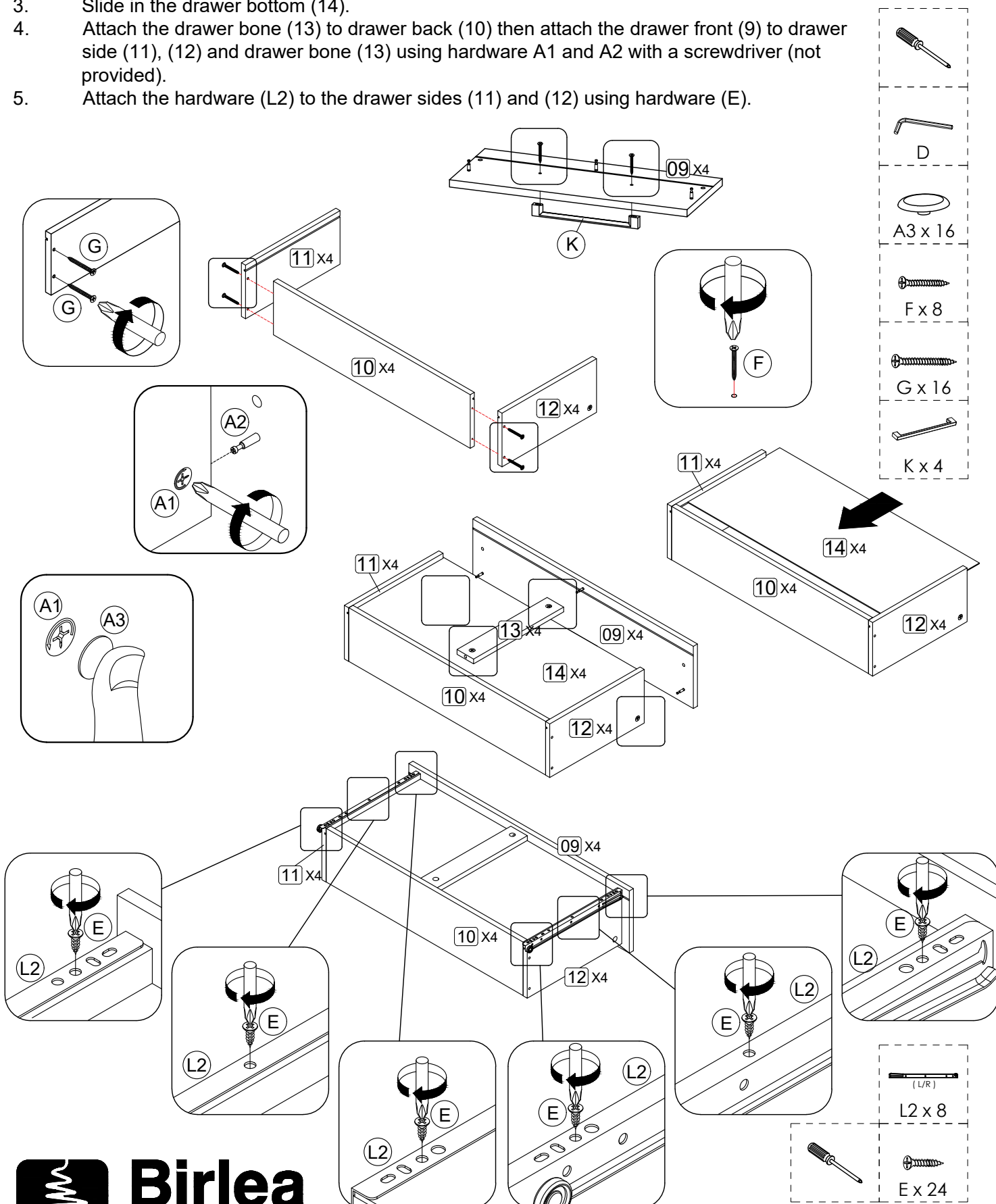
Suppliers of inspiration

Step 10: Assemble the drawer components using hardware A3, D, E, F, G, K and L2.

In this step only show one of the drawers.

DO NOT use any power tools as this may damage the frame and will invalidate any claim.

1. Fix hardware K onto panel (9) by using hardware F.
2. Attach the drawer side (11) and (12) to the drawer back (10) using hardware (G).
3. Slide in the drawer bottom (14).
4. Attach the drawer bone (13) to drawer back (10) then attach the drawer front (9) to drawer side (11), (12) and drawer bone (13) using hardware A1 and A2 with a screwdriver (not provided).
5. Attach the hardware (L2) to the drawer sides (11) and (12) using hardware (E).

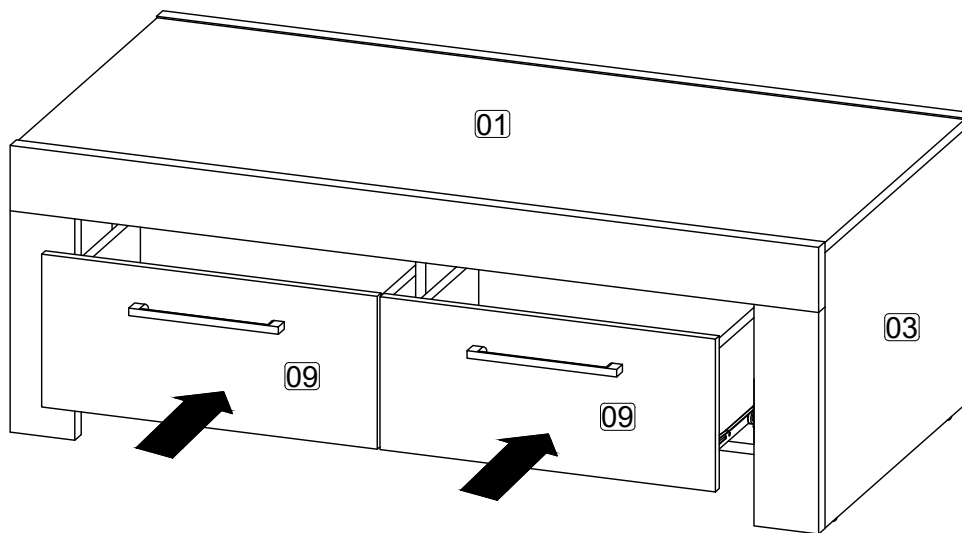
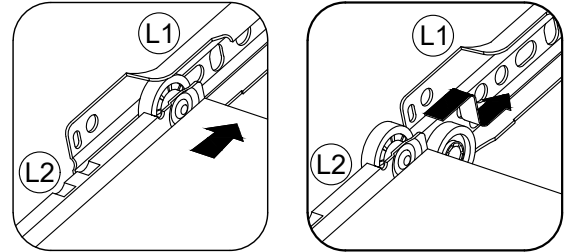


Birlea

Suppliers of inspiration

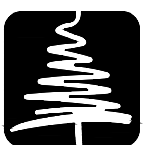
Step 11: Assemble the drawers in place along the drawer slides.

DO NOT use any power tools as this may damage the frame and will invalidate any claim.



Additional Information:

- For complete product information, images and dimension diagrams please visit the website www.birlea.com
- If you have any issues with your item please contact the retailer directly you purchased it from who will be able to resolve any issues with Birlea.
- Why don't you send us photos of your assembled furniture to info@birlea.com to be shared in our #birleahome feature on instagram.



Birlea

Suppliers of inspiration